

PRODUCT CATALOGUE



Contents

Company Profile	3	Fyreye MkII Addressable Smoke Detectors with Isolator	28
Project References	4	Fyreye MkII Addressable Heat Detectors with Isolator	29
Training Centre	5	Fyreye MkII Addressable Detector Bases	30
Premier Quatro Addressable System Network	6	Fyreye MkII Sandwich Sounder	32
Premier Quatro Typical Network Loop	7	Addressable Call Points	33
Gateway Network Card	8	Fyreye MkII Addressable Interface Modules	34
Quatro Connect Panel Configuration Software	9	Mains IO 1 Channel Input/Output Module	38
Graphical Alarm Manager	10	Remote LED Indicators	39
Premier Quatro 4 Loop Analogue Addressable Fire Alarm Control Panel	12	Xtratone Addressable Sounder & Sounder Beacon	40
Premier Quatro 8 Loop Analogue Addressable Fire Alarm Control Panel	14	Raptor Addressable Sounder & Sounder Beacon	42
Premier Quatro Fully Functional Repeater	16	Zeta Optical Beam Smoke Detector	44
Touchscreen Repeater Interface	17	UV/IR & Triple IR (IR3) Flame Detector	45
Network LED Driver	18	Product Compatibility Chart	46
SmartConnect 1 Loop Addressable Fire Alarm Panel	20	Device Current Consumption	47
Simplicity Plus Addressable Fire Alarm System	22	Premier Power Pack EN54-4 Power Supply with LCD Screen	48
ID2 Intelligent 2-Wire Fire Detection System	24	Smart Power 27V PSU	49
Fyreye MkII Addressable Smoke Detectors	26	Conventional Fire Alarm Systems	50
Fyreye MkII Addressable Heat Detectors	27		

Company Profile



Zeta Alarm Systems, a trading name of GLT Exports Ltd, was founded in 1985 and is a privately held UK manufacturer of Fire Alarm, Gas Detection and Emergency Systems.

Our brand name is well known throughout the industry and is acclaimed in over fifty countries worldwide. We are currently represented in the UK, Europe, Africa, the Middle East, Southern Asia & South America and this list continues to grow.



Complete System Supplier

To meet the requirements of our ever-changing market, we pride ourselves on being a complete system supplier. This means our customers can rely on us for their entire system requirements.

One of the main advantages of using a complete system supplier, compared with a component supplier, is that system wide compatibility is assured and there is one point of contact.

Marketing our products as systems has played a vital role in our worldwide success.

The Future

Our continued inward investment and constant endeavour to offer the very best products is recognised by our increased turnover year-on-year. Our mission is to support our existing & future customers by providing them with the highest quality products, at the most competitive prices.

Customer Support & Warranty

We value our customers greatly and to ensure they have the best experience we have a dedicated support team who are able to assist with sales, technical or logistical queries.

Our products carry a full 24 month manufacturers' guarantee from the date of purchase. Our network of authorised agents is fully trained on the use of our products and will provide a helpful & friendly service.

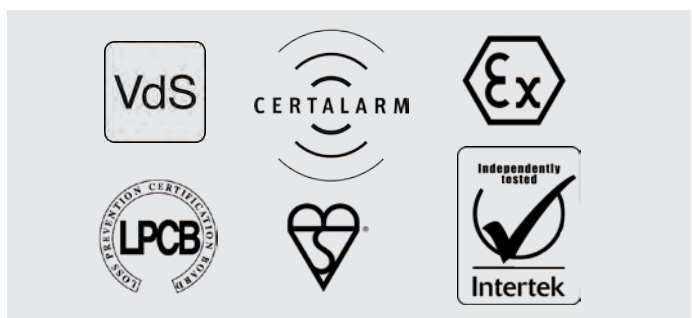
Research & Development

As with all electronic equipment there is an ever present drive to manufacture products that are increasingly effective whilst becoming more cost sensitive. To meet this objective we spend a significant percentage of our profits on the continued development of products, whether it be introducing new items, or improving existing ones. We have a team of engineers & designers all of whom have vast industry knowledge & experience.

As a manufacturer we always follow the market needs closely to evaluate how we should adapt our product range. This, combined with welcomed customer feedback, has proved to be a successful formula for meeting the current and future industry needs.

Statement of Quality Policy

We maintain a Quality System, which conforms to BS EN ISO9001:2008. We are committed, where applicable, to manufacture in compliance with all appropriate legislation & regulatory requirements.



Project References

The following are a selection of the many successful projects our Authorised Distributors have completed worldwide.

University Library, Iran



Louvain, Belgium



Financial Square Building, Qatar



Majestic Arjaan Hotel, Bahrain



Codeworks, United Kingdom



We believe that with all life safety systems, a proper insight into the correct operation of the system is essential and the best way this can be achieved is by hands-on training. With this in mind, we have invested in building a brand new training facility at our Head Office in Swansea, UK where all of our systems are available for training and live demonstrations.



A typical training session covers the Simplicity Systems, the Quatro Systems and the Datalog Alarm Manager Graphics Package, covering the initial set-up, the Output Actions programming, and linking the Quatro to the Datalog Alarm Manager.

Training is flexible, and can be tailored to individual customers needs, on whichever equipment is required.

To receive any training details or to enlist for a training course contact - training@zetaalarmssystems.com

Zeta Authorised World Distributors

Zeta has developed a worldwide network of distributors. Each partner has been specially selected based on their extensive product knowledge of the Zeta range and capacity to supply & support product with the very highest standards expected.



You will find contact details for each of the Authorised World Distributors in the Local Distributor section of the Zeta website - www.zetaalarmssystems.com

Benefits of being a Distributor

- ✓ In depth technical knowledge
- ✓ Ability to design & engineer systems
- ✓ Comprehensive technical support
- ✓ Local stock holding
- ✓ Product training

Premier Quatro Addressable System Network

Description

The Quatro system network has the facility to monitor, indicate and control the functions of a fire alarm installation, thus allowing signals to be distributed around a large site.

The networking is normally wired in a ring using Fireproof Communication Cable. Each panel will need a network card added to the termination board (when using QT-NC). Optionally the network ring can be wired with fibre optic cable (using QT-NC/FP).

The network will accommodate up to 32 nodes. Each node is programmed independently with one mode chosen to be a master.

The network uses RS 485 data communication. Up to a total network cable length of 10km is possible. All panels will continue to function in stand-alone mode, even if the network fails.

The operation of the network is such that each node has total stand alone capability in that its local operation is not directly affected by its connection to or disconnection from the network. The ability of a local control panel to observe events means that it can be programmed to respond to events elsewhere on the network. The effect of this capability is that any control panel is able to respond to any sensor device connected anywhere on the network. This provides a possible effective 126 loop control panel distributed around a single site as a number of smaller units. Network repeater panels provide the ability to observe and control elements of the network via a compact unit which may be conveniently mounted at manned control points and still provide all essential display and control facilities.

Network communication takes place over a single pair of wires to create a 'Bus' network, or a double pair of wires to create a 'Ring' network (recommended).

QT-GNC

This Gateway Network Card can be used in two instances:

1. A graphic package is added to the system. This card would replace QT-NC card in any one node on the network system.
2. To provide remote viewing for the last 64 events via LAN connection



QT-NC

This network card provides the following:

- RS 485 repeater output
- Serial port for either panel printer or external printer (desk top)
- RS 485 network connection for use with standard network data cable
- Modbus interface and graphical software connection via RS485



QT-NC/FP

This network card provides network connection for use with fibre-optic multi-mode. No printer or repeater out is available with this card.



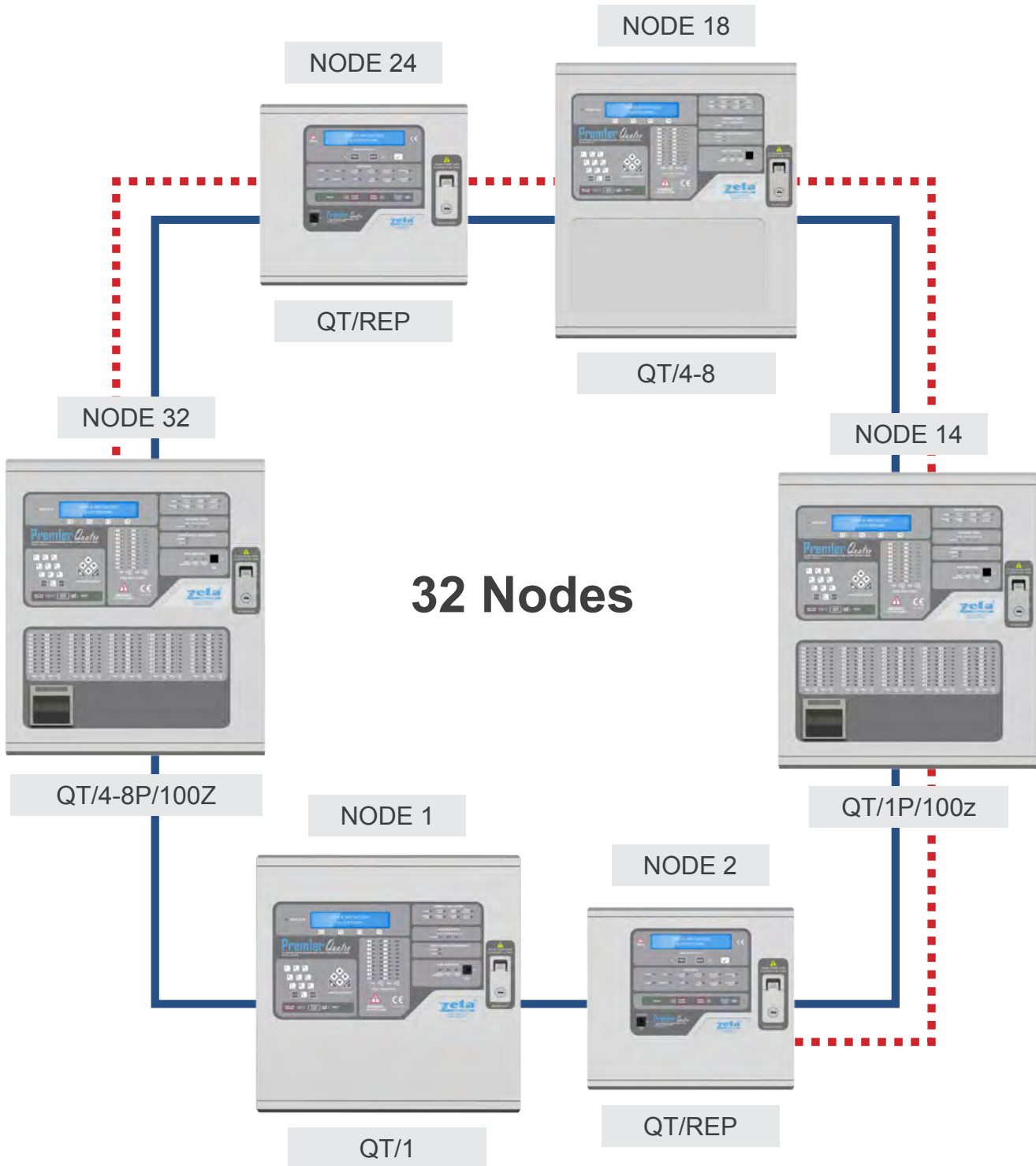
Features

- Peer-to-Peer network wide communication
- Network together Premier Quatro panels and Network repeaters
- Up to 32 panels may be networked together

Technical Specification

Model	QT-NC	QT-GNC	QT-NC/FP
Part No.	37-510	37-511	37-512
RS485 Network	Yes	Yes	No
Fibre Optic Network	No	No	Yes
TCP/IP Connection	No	Yes	No
RS232 Connection (for printer)	Yes	No	No
Modbus Connection	Yes	No	No

Premier Quatro Typical Network Loop

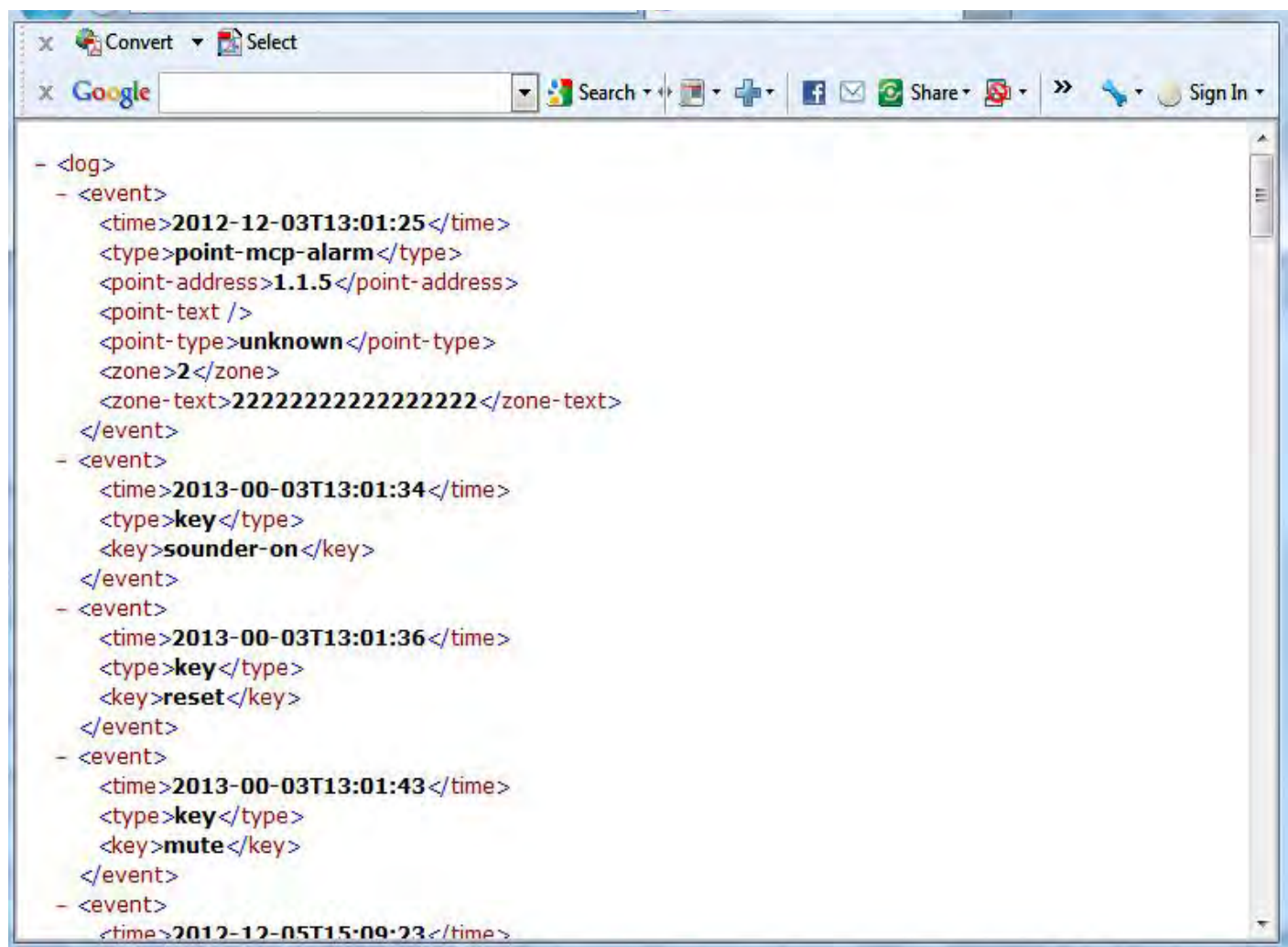
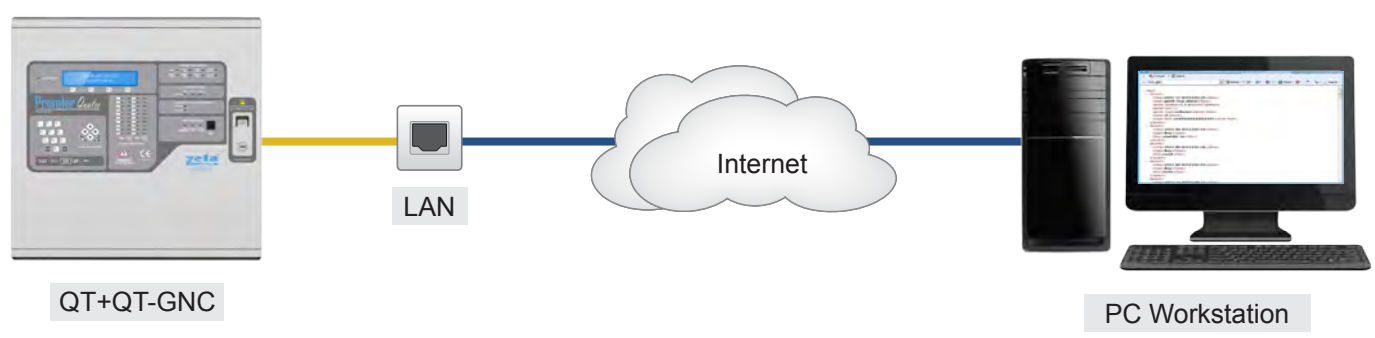


Gateway Network Card

(QT-GNC)

Description

Further to the network described on page 8, a QT-GNC (special Gateway card) can be used on any ONE Quatro panel (stand alone or part of a network) to provide the facility of connecting that stand alone panel and/or the network through a LAN connection to provide TCP-IP remote viewing on HTM for the last 64 events in that stand alone panel or network.



Quatro Connect Panel Configuration Software

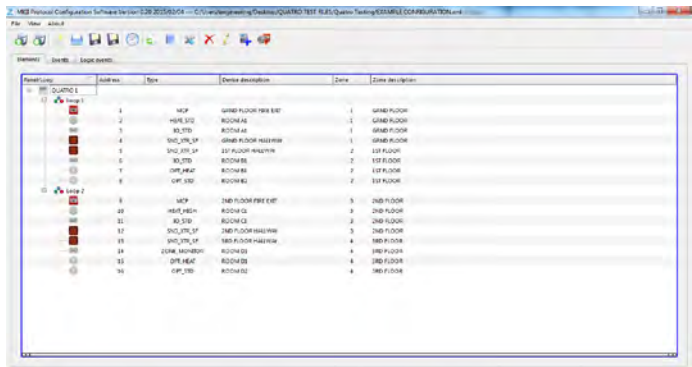


Description

The Quatro Configuration Software is an easy yet powerful tool for programming the Quatro range of panels. There is no special programming leads required to connect to the panel, just a standard USB A-B lead (the type used on printers) It consists of three main screens:

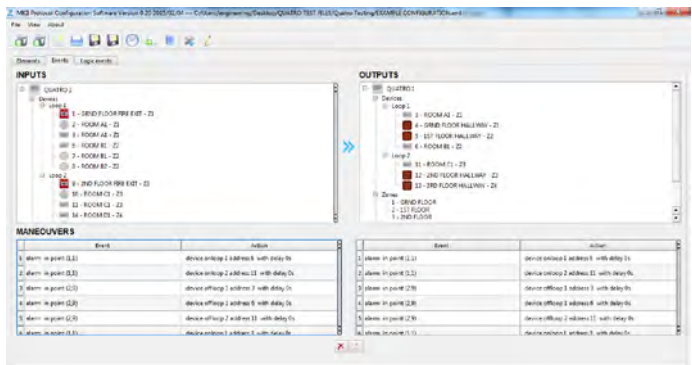
Editor Screen

This screen allows the engineer to easily add and edit text information for the point locations and also the zones. It also allows for the changing of zones and the manual adding of panels, devices or sounders.



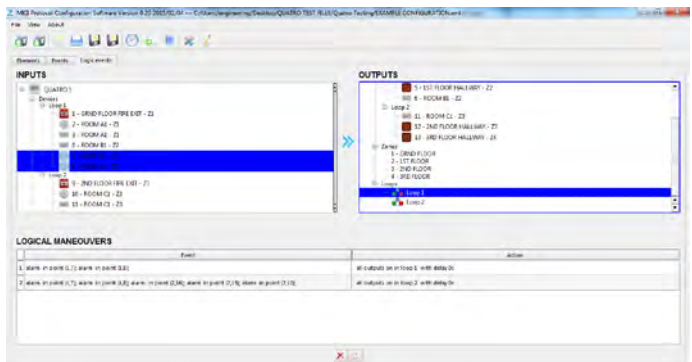
Cause & Effect Screen

The cause and effects are created by simply clicking on the input and then dragging it to the required output. You also have the ability to change event type, action settings, add delays and to also tell the output device whether to activate or to shut down after a delay



Logic Events Screen

The cause and effects are created by simply clicking on the input and then dragging it to the required output. You also have the ability to change event type, action settings, add delays and to also tell the output device whether to activate or to shut down after a delay

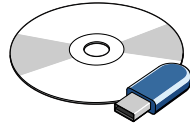


Graphical Alarm Manager

(QT-DL/1, QT-DL/5, QT-DL/20 & QT-DL/64)

Description

The Quatro Addressable system has a PC graphics package called Datalog Alarm Manager. This is an advanced system, based on our software partner's many years experience in the event logging industry. The system is of a modular design, with the aim of the end user just purchasing the modules required.



The configuration is powerful but intuitive, allowing large systems to be configured with ease. The configuration of the system is done with different software package to the normal operation software, so that an inquisitive operator has no facility to accidentally change the system. The configuration software is available as a single site licence,

allowing the user to just edit the data on a specific site, or as a multi-site licence. This is aimed at system installers who may regularly install such systems. The software will run on any Windows PC of suitable specification, allowing the user to choose their own PC hardware.

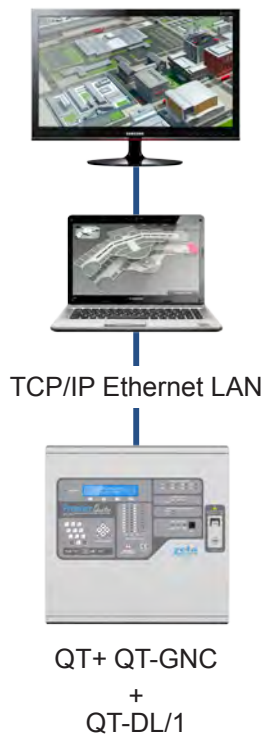
The system is available in a number of sizes, ranging from a single panel, to 32 panel network or combined networks up to 64 nodes. This allows the user to select the size that suits their system.

A separate software module (QMS) is available that allows a screen to be used as a mimic, allowing a simpler solution to the usual LED mimic often used in large buildings

Our software partners offer a 3D rendered site map service, to give the Datalog alarm manager a hugely impressive first point of contact.

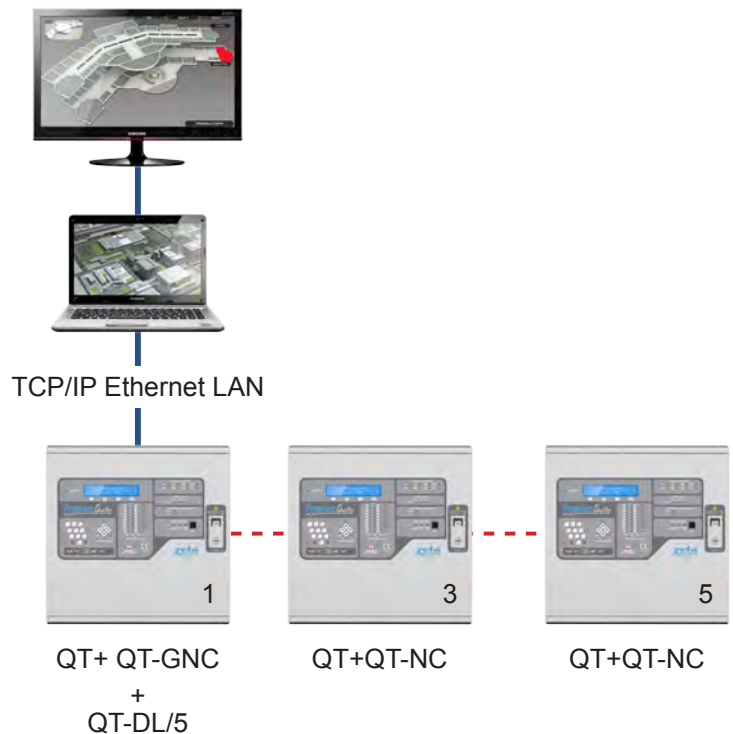
Lite (QT-DL/1)

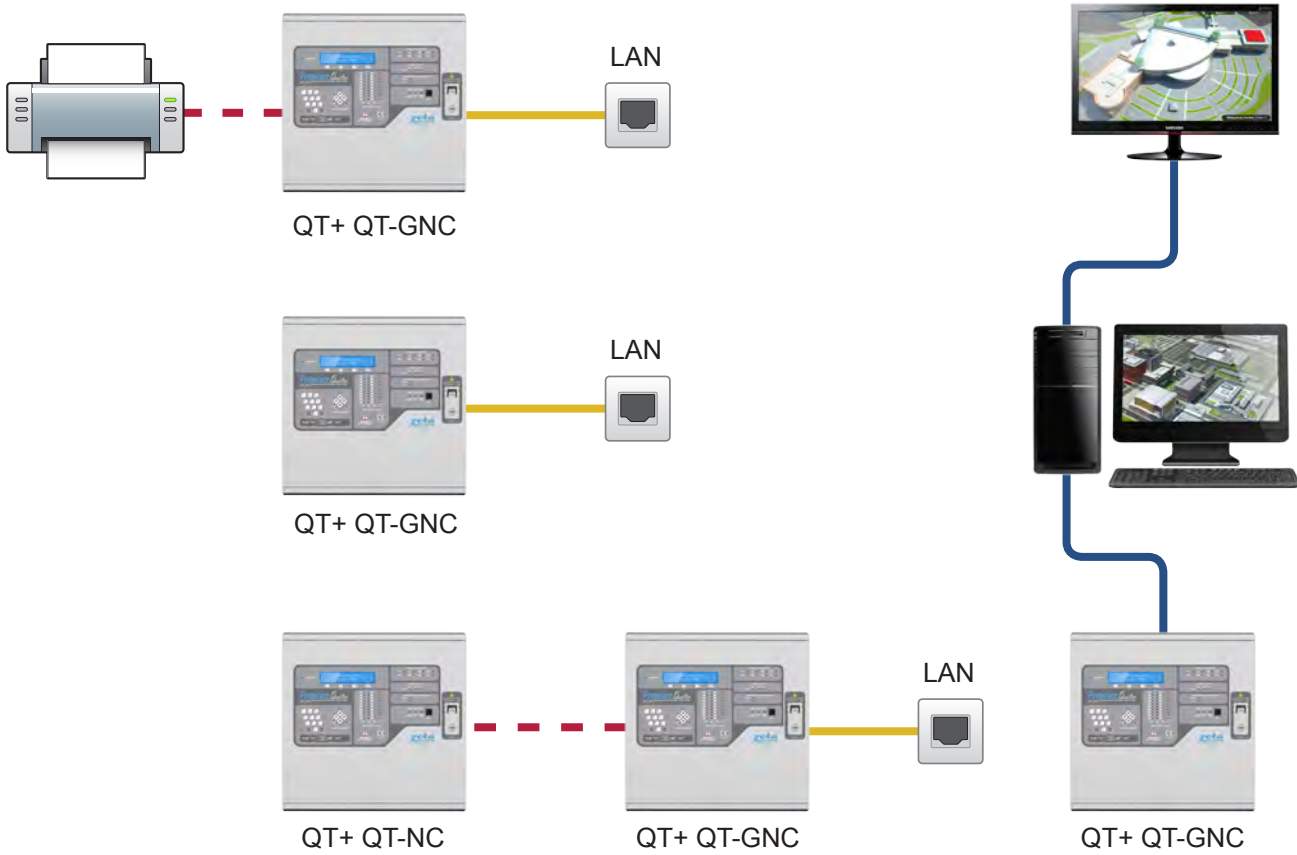
For Connection to a Single Quatro Panel








QT-DL/5, QT-DL/20 & QT-DL/64

For Connection of Up to 64 Panels via a Multiple Zeta Panel Network





Features

-  The panel network can be via hard wire or via LAN and a maximum of 5 panels (nodes) can be networked on the DL5
-  Any panel connected via LAN requires a Gateway Network Card QT-GNC
-  Any hard wired network would require a QT-NC Network Card
-  Mimic output is via video output in CPU
-  Repeater must be hardwired to any panel

Technical Specification

Model	QT-DL/1	QT-DL/5	QT-DL/20	QT-DL/64
Part No.	37-550	37-551	37-552	37-553
Max Network Nodes	1	5	20	64
Mimic Output	1	1	1	1
Connection to Computer	Hardwire or LAN			

Premier Quatro 4 Loop Analogue Addressable Fire Alarm Panel



250 ZONE
4 LOOP
ABC X5
+ - 17AH
3072
2 CIRCUITS

Description

The Quatro control panel is designed, manufactured and tested to fully meet the requirements of EN54 part 2 and part 4. This panel is of a modular nature and can be supplied in 1, 2, 3, and 4 loop versions.

A specially designed Quatro Configuration software is available for configuring the panel or multi-panels and can be downloaded to the system via USB connection.

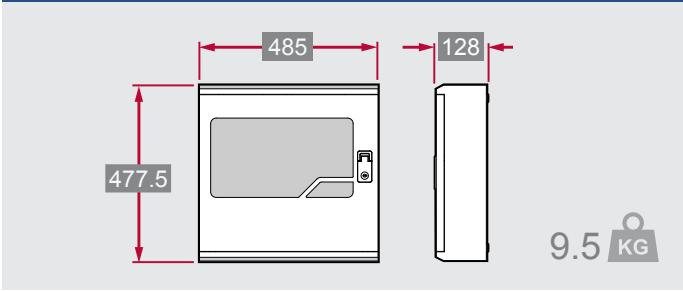
Up to 32 panels/repeaters can be networked over 10,000m of data cable and a special alarm management system can provide all needs for very large projects such as university campus, hospital complex etc.



Features

- 1-4 loop, expandable by loop cards
- 20 zone LEDs
- 250 programmable zones
- Multi-language support (English, Spanish, Portuguese, French, Hungarian, Italian, Lithuanian & Dutch)
- Day/night mode delays
- 4 x 40 character LCD display
- Real Time Clock
- 4096 entry event log
- 20 character device text
- 18 character zone text
- Zone or Device Disablement
- 2 x conventional sounder circuits
- Aux 24V supply
- 1 x fire relay
- 1 x fault relay
- Outputs programmable by zones
- Can be configured via PC or via Panel.

Dimensions (mm) & Weight (kg)



Technical Specification

Model	QT/1	QT/2	QT/3	QT/4
Part No	37-500	37-501	37-502	37-503
Supply Voltage	230V +10%/-15% @ 50-60 Hz			
System Voltage	29.5V Nominal			
Number of loops	1	2	3	4
Loop Capacity	250	250	250	250
Zonal Indication - LED	20	20	20	20
Zonal Indication - LCD	250	250	250	250
Fault Output	Normally Energised Relay: 30V @ 1A			
Fire Output	Relay: 30V @ 1A			
Alarm Output	2 x Conv Sounder Output @ 450mA			
Printer	NO	NO	NO	NO
Dimensions	485 x 477.5 x 128			
Max Battery size	17Ah			
IP Rating	IP30			
Operating Temperature	-5°C to + 50°C			

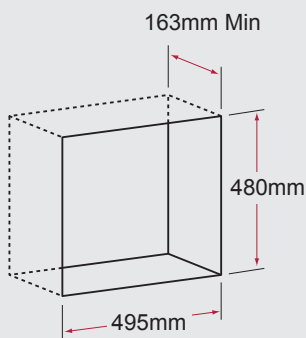
Flush Mount Kits

QT4-FMB (Part No. 26-307)

Quatro Flush Mount Kit

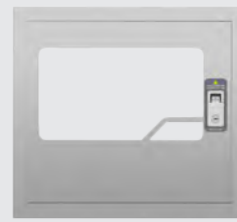


Dimensions of Wall Opening

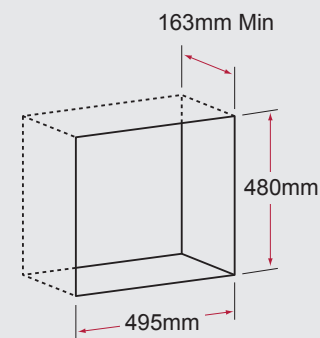


QT4-FMB/SS (Part No. 26-310)

Quatro Stainless Steel Flush Mount Kit



Dimensions of Wall Opening



Premier Quatro 8 Loop Analogue Addressable Fire Alarm Panel



Description

The Quatro control panel is designed, manufactured and tested to fully meet the requirements of EN54 part 2 and part 4. This panel is of a modular nature and is now available with up to 8 loops. The 4 - 8 loop Quatro only runs Fyreye MKII Protocol.

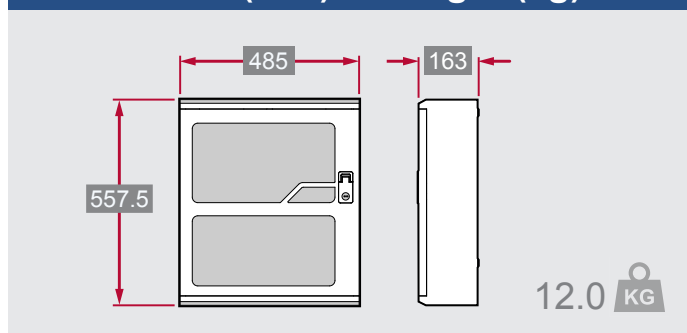
A specially designed Quatro Configuration software is available for configuring the panel or multi-panels and can be downloaded to the system via USB connection.

Up to 32 panels/repeaters can be networked over 10,000m of data cable and a special alarm management system can provide all needs for very large projects such as university campus, hospital complex etc.

Features

- 4-8 loop, expandable by loop cards
- 120 zone LEDs
- 250 programmable zones
- Multi-language support (English, Spanish, Portuguese, French, Hungarian, Italian, Lithuanian & Dutch)
- Day/night mode delays
- 4 x 40 character LCD display
- Real Time Clock
- 4096 entry event log
- 20 character device text
- 18 character zone text
- Zone or Device Disablement
- 2 x conventional sounder circuits
- Aux 24V supply
- 1 x fire relay
- 1 x fault relay
- Outputs programmable by zones
- Can be configured via PC or via Panel.

Dimensions (mm) & Weight (kg)



Technical Specification

Model	QT/4-8	QT/5-8	QT/6-8	QT/7-8	QT/8-8
Part No	37-504	37-505	37-506	37-507	37-508
Supply Voltage	230V +10%/-15% @ 50-60 Hz				
System Voltage	29.5V Nominal				
Number of loops	4	5	6	7	8
Loop Capacity	250				
Zonal Indication - LED	120				
Zonal Indication - LCD	250				
Fault Output	Normally Energised Relay: 30V @ 1A				
Fire Output	Relay: 30V @ 1A				
Alarm Output	2 x Conv Sounder Output @ 450mA				
Printer	For printer option add suffix 'P' eg. QT/4-8P				
Dimensions	485 x 477.5 x 163				
Max Battery size	17Ah				
IP Rating	IP30				
Operating Temperature	-5°C to + 50°C				

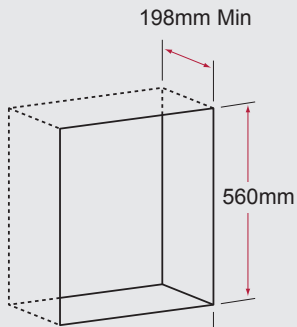
Flush Mount Kits

QT8-FMB (Part No. 26-309)

Quatro Flush Mount Kit



Dimensions of Wall Opening

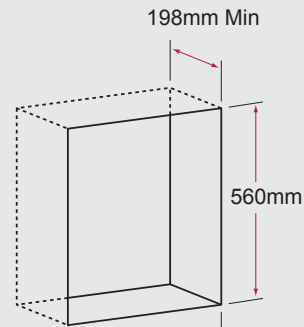


QT8-FMB/SS (Part No. 26-312)

Quatro Stainless Steel Flush Mount Kit



Dimensions of Wall Opening





Premier Quatro Fully Functional Repeater (QT-REP)



Description

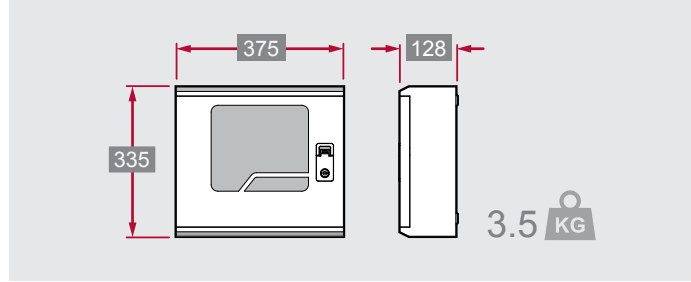
The QT-REP is supplied with an integral power supply and is connected to the Quatro panel with fireproof communication cable.

The QT-REP can be programmed to repeat fire & fault events from one panel or programmed to repeat from a group of networked Quatro panels.

Controls

- Buzzer Mute
- Start Sounders
- Stop Sounders
- Reset
- Menu Keys

Dimensions (mm) & Weight (kg)



Features

- 40 character 4 line LCD display
- Up to 32 on a network (or a combination of panels and repeaters up to a max of 32)
- Onboard power supply/charger

Technical Specification

Model	QT-REP
Part No.	37-583
System Voltage	21 - 30 Vdc
Current	90 mA
Connection	RS485
Max Battery Size	7Ah
Dimensions	375 x 335 x 125 mm
IP Rating	IP 30

Flush Mount Kits

REP-FMB (Part No. 26-308)	REP-FMB/SS (Part No. 26-311)
Quatro Repeater Flush Mount Kit	Quatro Repeater Stainless Steel Flush Mount Kit

Dimensions of Wall Opening: 340mm (H) x 383mm (W) x 165mm (D)

Touchscreen Repeater Interface (ZT-TSRI)











Description



The Quatro Addressable system now has a specialised repeater that has been designed to work with a touch screen interface. It has the ability to mimic the Quatro panel's fire and fault messages, and display its location on a site map or graphic of your choice.

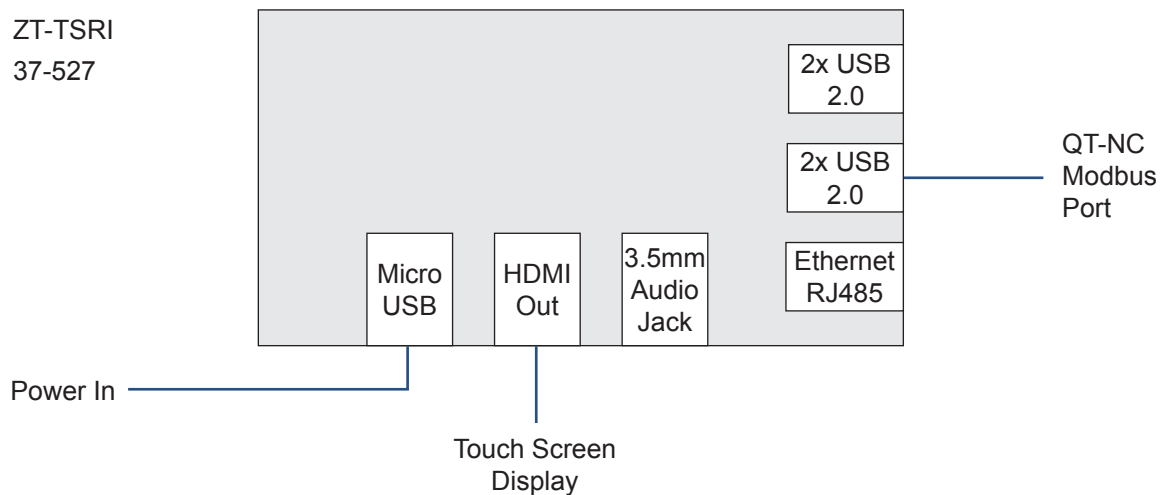
There are 4 virtual keys that can be used to Start Sounders, Stop Sounders, Silence Buzzer and Reset. Another unique feature is that the repeater can be connected to the internet via its Ethernet RJ45 port, which gives it the ability to send messages via email to users and engineers, alerting them when there is an alarm or fault. It is easy to setup and install, and requires no desktop or laptop computers to run. Simply connect it to a touchscreen monitor via HDMI, power it with a micro USB cable, and connect to the QT-NC Modbus port and you're ready to go.

Features

-  Designed for use with a touchscreen display
-  Easy to use and setup
-  4 virtual keys
-  Ability to send reports of alarms and faults via email to users/engineers
-  Mimics the LED display of a Quatro Addressable Panel
-  Mimics the LCD fault and alarm messages of a Quatro Addressable Panel
-  Displays the location of Alarms or Faults on either a site map or building diagram
-  Password protection to prevent unauthorised tampering.

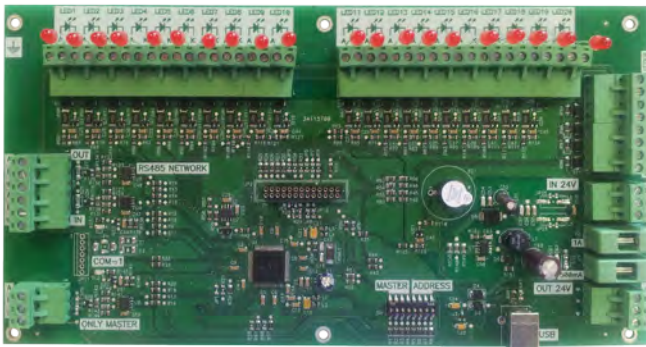
Schematic Connections

Model ZT-TSRI
Part No. 37-527










Network LED Driver

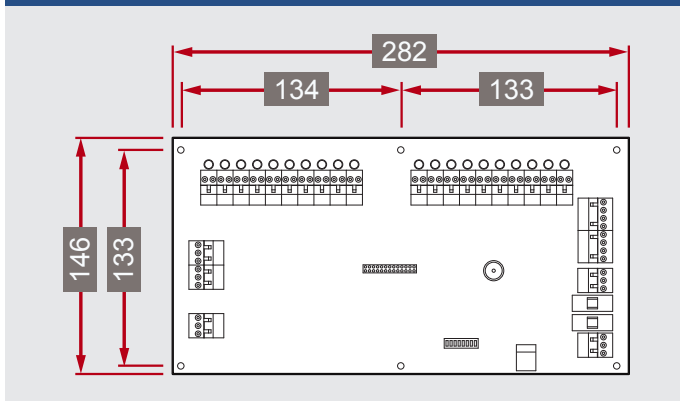
(NET-LD20 Part No. 37-525)



Features

-  20 LED outputs
-  Up to 32 modules per network loop
-  4 switch inputs
-  Internal buzzer
-  Can be configured as a master or a slave
-  On board facility for firmware upgrade when needed
-  Separate 24Vdc is required

Dimensions (mm)



Description

The NET-LD20 is a module to provide an LED mimic of the Quatro control panel zonal fire or fault LEDs, the module is placed on the network loop and is able to mimic the Quatro panel zonal LEDs of all panels on the network loop.

Each module can drive 20 LED outputs and up to 32 modules can be installed on the network loop.

The module has 4 switch inputs that can be used to silence internal buzzer, silence sounders, start sounders and reset function of all nodes on the network when configured as a controller.

The module is equipped with an internal buzzer which will sound when any fire LED is lit.

Applications

The main use for this module is to construct a remote zonal LED indication and/or a mimic graphic LED indicator. It can also be used to construct multiple LED mimic indicators as part of a network loop.

Each LED indication can also be used with sharing indications from a multiple panel Network.

Configuration

Each module can be configured as a master or a slave. A master will make use of the switch inputs and when configured as slave, then the switch inputs cannot be used.

For multiple of modules used, only one can be allowed to be configured as master.

No special software is required but the module has an on board facility for firmware upgrade when needed.

This module is not powered by the network loop, thus a separate 24Vdc is required.

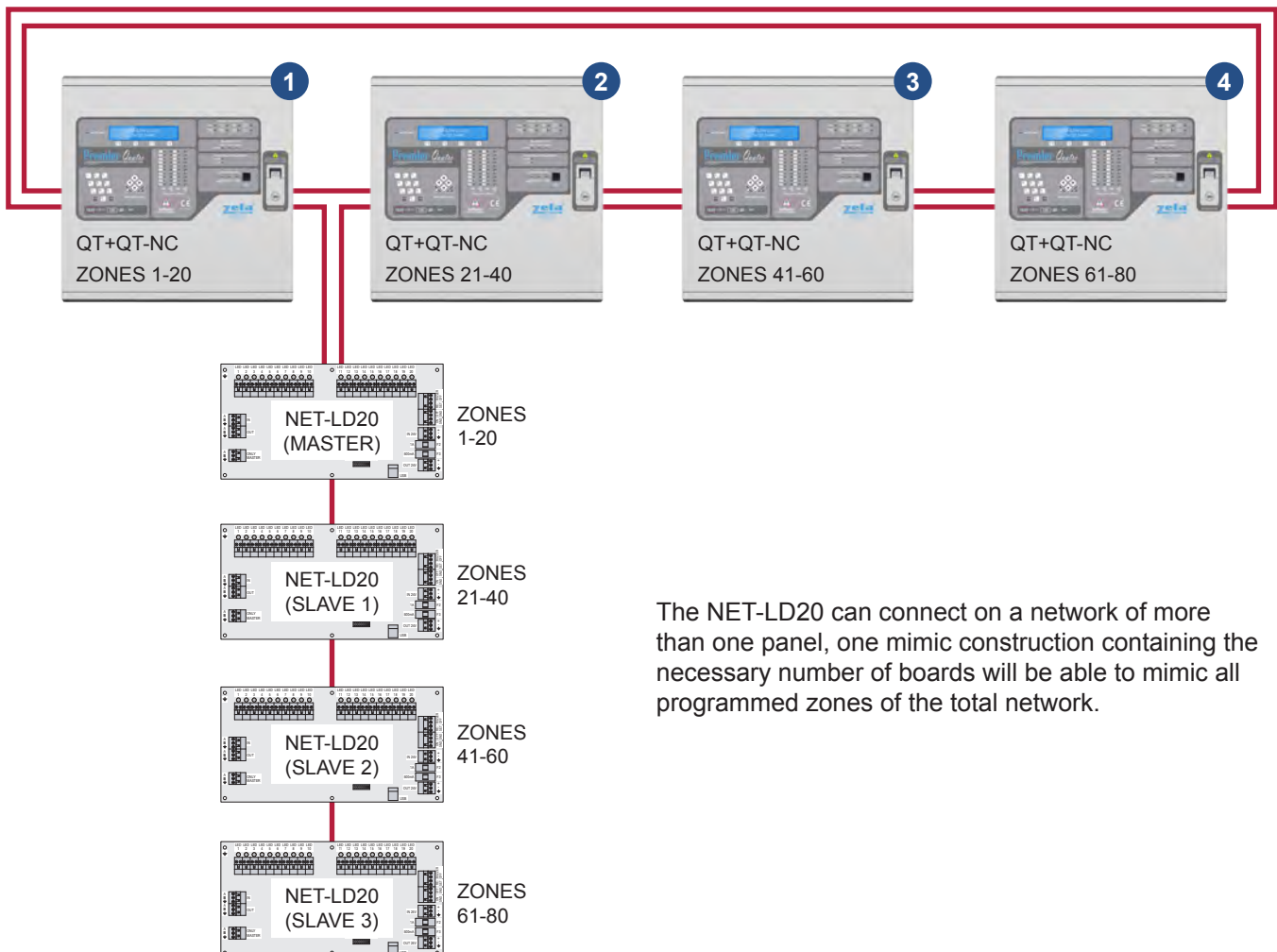


Mimic Graphic LED Indicator

A mimic LED panel can be constructed to suit any customer requirements, including sizes utilizing one or more NET-LD20 boards

The NET-LD20 board can also be configured to not only indicate fire but also fault. This option will give ten fire LEDs (red) and ten fault LEDs (yellow).

Inter Connections



The NET-LD20 can connect on a network of more than one panel, one mimic construction containing the necessary number of boards will be able to mimic all programmed zones of the total network.

SmartConnect Touchscreen 1 Loop Addressable Fire Alarm Panel



NEW

Description

The SmartConnect is a fully featured single loop addressable fire alarm panel with a user friendly 4.3 inch touch screen display and remote monitoring via a desktop PC or smartphone via the cloud.

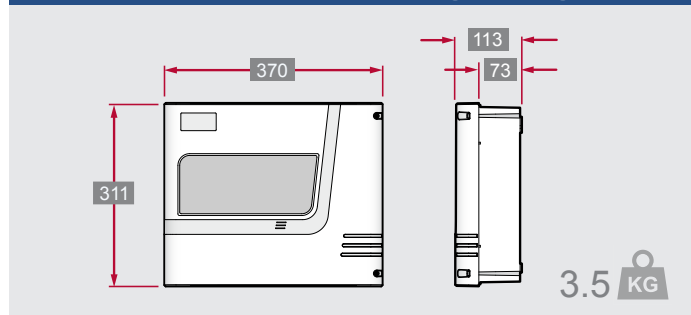
The panel is housed in an attractive, modern designed, flame retardant ABS enclosure, utilising a switch mode power supply and has a fully removable front cover which improves ease of access for cable installations. Up to 16 panels can be networked (pier to pier) with no additional network cards.

Features

- 4.3 inch colour touch screen display
- Remote monitoring via a desktop PC or smartphone via the cloud
- Easy to use configuration software
- Full cause & effect programming via front panel or PC
- 250 Zeta MKII protocol devices per loop
- 250 available zones, 16 with LED indication
- Built-in TCP-IP output
- Up to 8 password protected users
- Meets all requirements of latest EN54 parts 2 & 4
- Extensive Day/Night mode programming
- Built-in network facility
- 2 programmable local inputs
- 2 sounder circuits
- Fire & fault relays

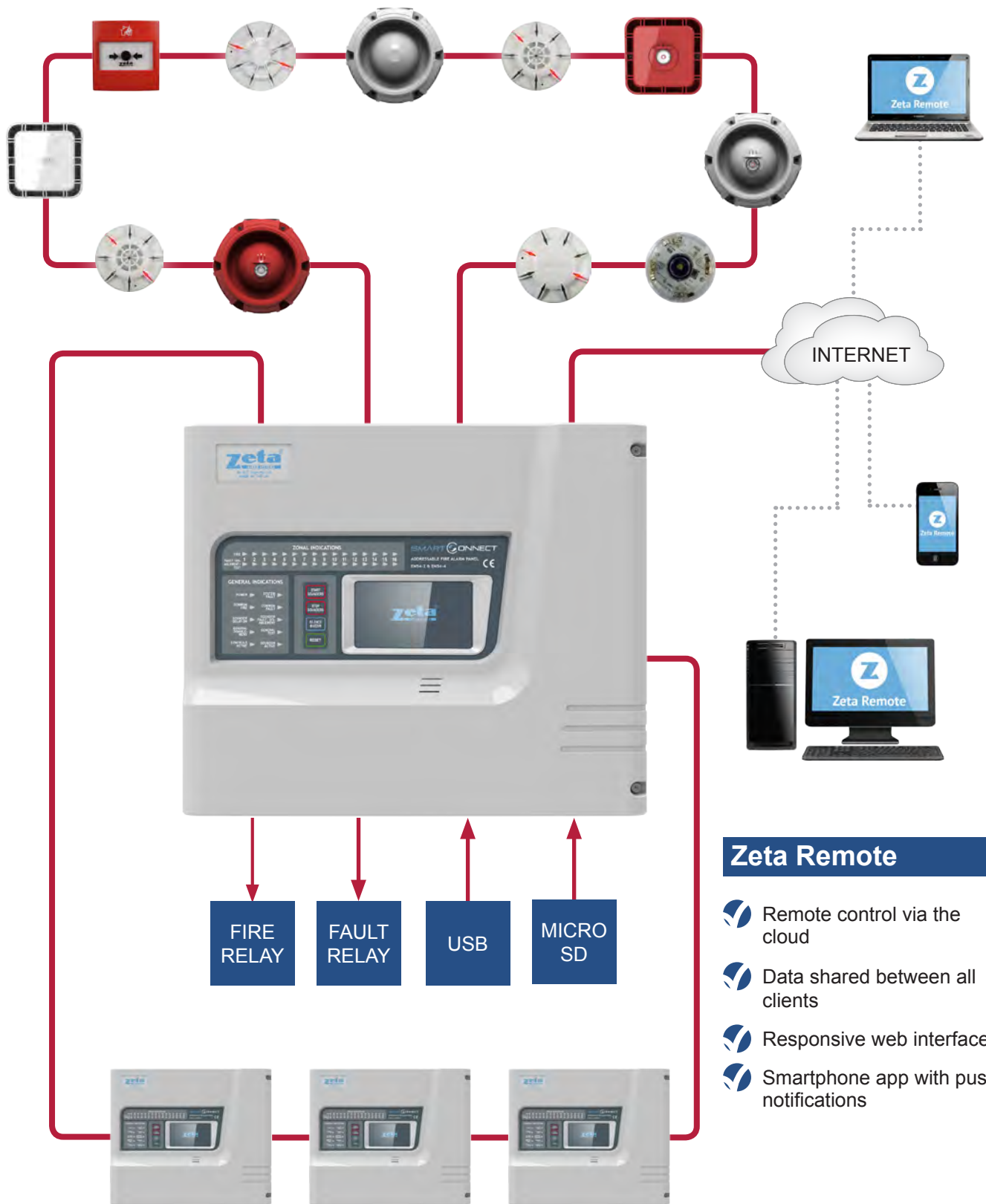


Dimensions (mm) & Weight (Kg)







Technical Specification

Model	SMART1
Part No	37-350
Mains Voltage	230V AC +10% / -15% @ 50/60 Hz
System Voltage	24V DC (Nominal)
Loop Current	500mA
Sounder Alarm Output	2 x 200mA @ 24V DC
Fault Relay	1 x Volt Free Relay, SELV @ 1A Max
Fault Relay	1 x Volt Free Relay, SELV @ 1A Max
Loop Capacity	250 MKII devices
Charger Voltage	27.6V
Battery cut off	Battery voltage less than 20V
Battery Internal Resistance limit	2.0 ohm
Enclosure size	370 x 311 x 113 (mm)
Weight	3.5Kg
Maximum battery space	2 x 7.0 Ah, 12 Vdc sealed lead acid
IP Rating	IP30



UP TO 16 NODES

Zeta Remote

-  Remote control via the cloud
-  Data shared between all clients
-  Responsive web interface
-  Smartphone app with push notifications

Simplicity Plus Addressable Fire Alarm System

(SP-64, SP-126, SP-252/M & SP-252/P)



Description

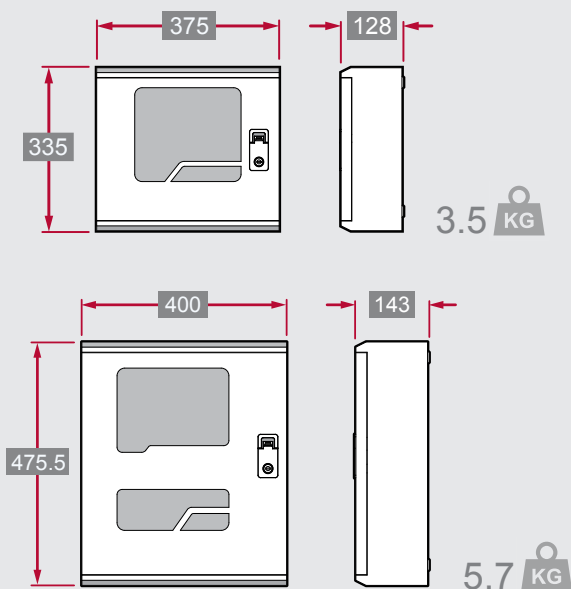
The Simplicity Plus is the ideal introduction to the world of addressable fire alarm panels.

As its name suggests, it has been designed with ease of use in mind, using pre-programmed values for its programming options. The installer simply needs to configure the loop and enter text labels via the built in keypad (optional).

The Simplicity Plus has user definable zones, option for zonal or common alarm operation, options for I/O operation, alarm verification and user selectable languages.

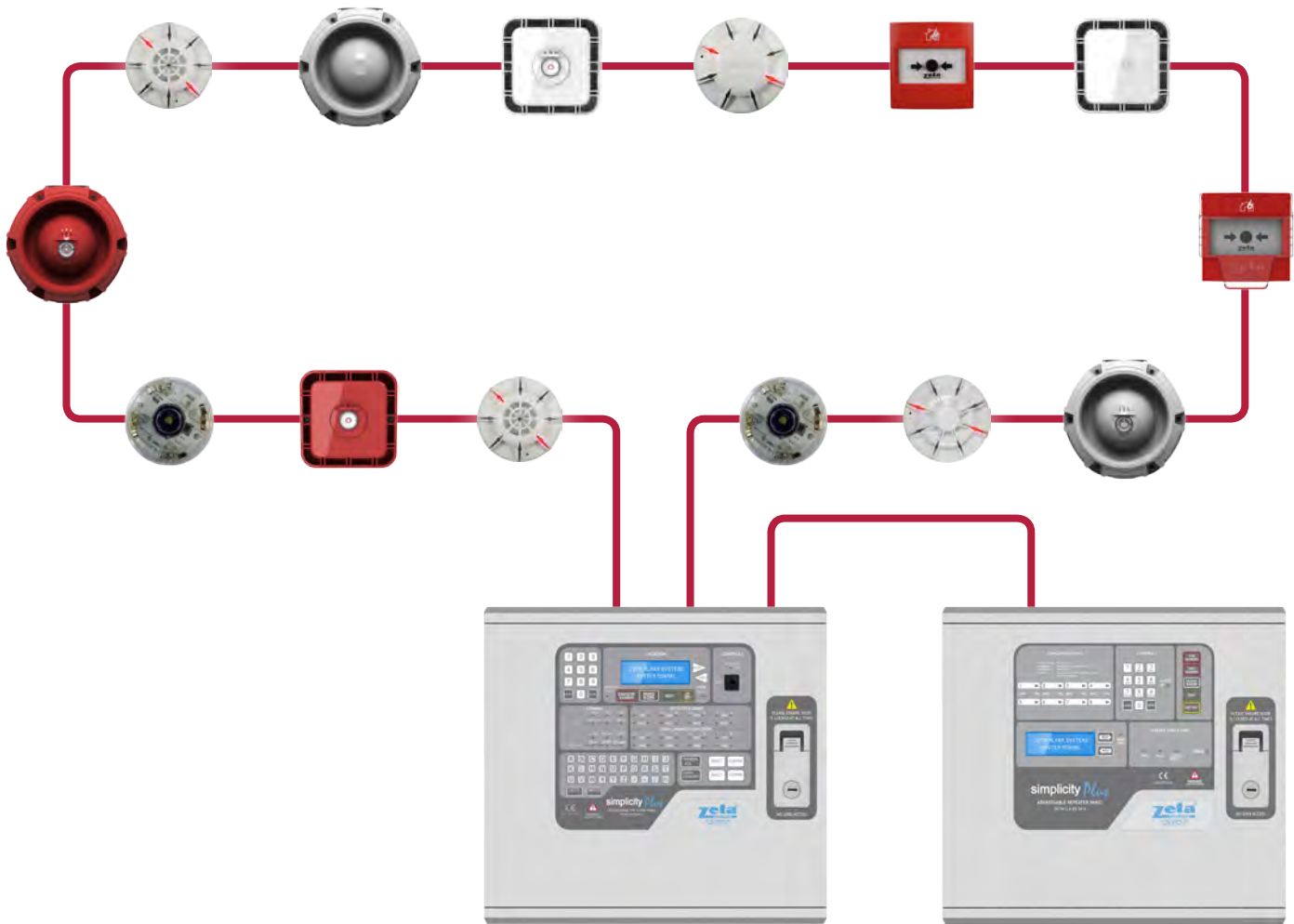
It can be connected to an RS232 desktop printer for real time event log printing (Epson LQ300+ recommended) and it can also drive a serial repeater model SP/REP (Part No. 37-179).

Dimensions (mm) & Weight (kg)



Features

- One or Two loop addressable fire alarm panel (64, 126 or 252 device capacity)
- Certified to EN54 parts 2 & 4
- User definable zones
- Option for zonal or common alarm operation
- Options for I/O operation
- Alarm verification (help prevent false alarms)
- User selectable languages
- Set of changeover relay contacts for fault condition
- Set of changeover relay contacts for fire condition
- 2,048 event log (fire & fault)
- Zone or device disablement
- One man test mode
- Plug & play, no need for any special tools or laptop for commissioning
- Fully integrated keypad
- All associated devices are loop powered



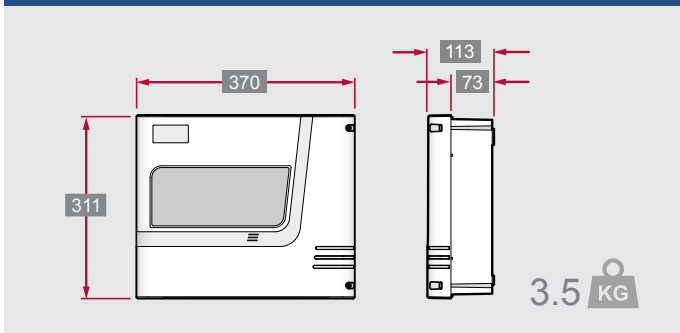
Technical Specification

Model	SP-64	SP-126	SP-252/M	SP-252/P	SP-REP
Part No.	37-160	37-165	37-177	37-178	37-179
Supply Voltage	230V AC +/- 10%				24V DC
System Voltage	24V DC (Nominal)				19 to 30V DC
Number of Loops	1		2		
Loop Capacity	64 Devices	126 Devices	126 Devices per Loop (Total 252)		
Number of Zones	4	8	8		
Sounder Output	Addressable Sounders Only				
Fault Output	28V Repeat Output to Drive Relay (Normally Energised)				
Fire Output	28V Repeat Output to Drive Relay				
Operating Temp.	-0°C to 50°C				
Enclosure Size (mm)	375(W) x 335(H) x 128(D)			400(W) x 475.5(H) x 143(D)	375(W) x 335(H) x 75(D)









ID² Intelligent 2 Wire Fire Detection System for Professionals (ID2/2, ID2/4 & ID2/8)



Dimensions (mm) & Weight (kg)



Features

-  The system meets the full requirements of BSEN5839 parts 1 and 6. The control panel has been designed to meet EN54 parts 2 and 4.
-  Each device can be uniquely identified by the panel
-  Device Count Verification
-  Alarm Verification
-  2048 Event History
-  ID2 Smartphone App available for iOS and Android
-  Cable Break protection
-  Cable Short Circuit Protection

Description

Zeta Alarm Systems is proud to introduce the most advanced 2 wire system on the market. We can now provide a system that gives all of the benefits associated with a '2 Wire' installation (less cable, quicker installation, cost savings on labour/product) and has the facility to 'I.D.' the devices.

The system is built on the proven communication protocol developed by Zeta Alarm Systems and shares the same platform as our largest, most powerful system.

The ID2 can be used for new installations, as a retrofit for any conventional system or as a replacement for existing 2 wire systems when the extra features are deemed to be desirable/necessary. This is possible because the ID2 devices sit on radial circuits, thus making it easy to 'upgrade' a system with the facility to I.D. devices without the need to re-wire.

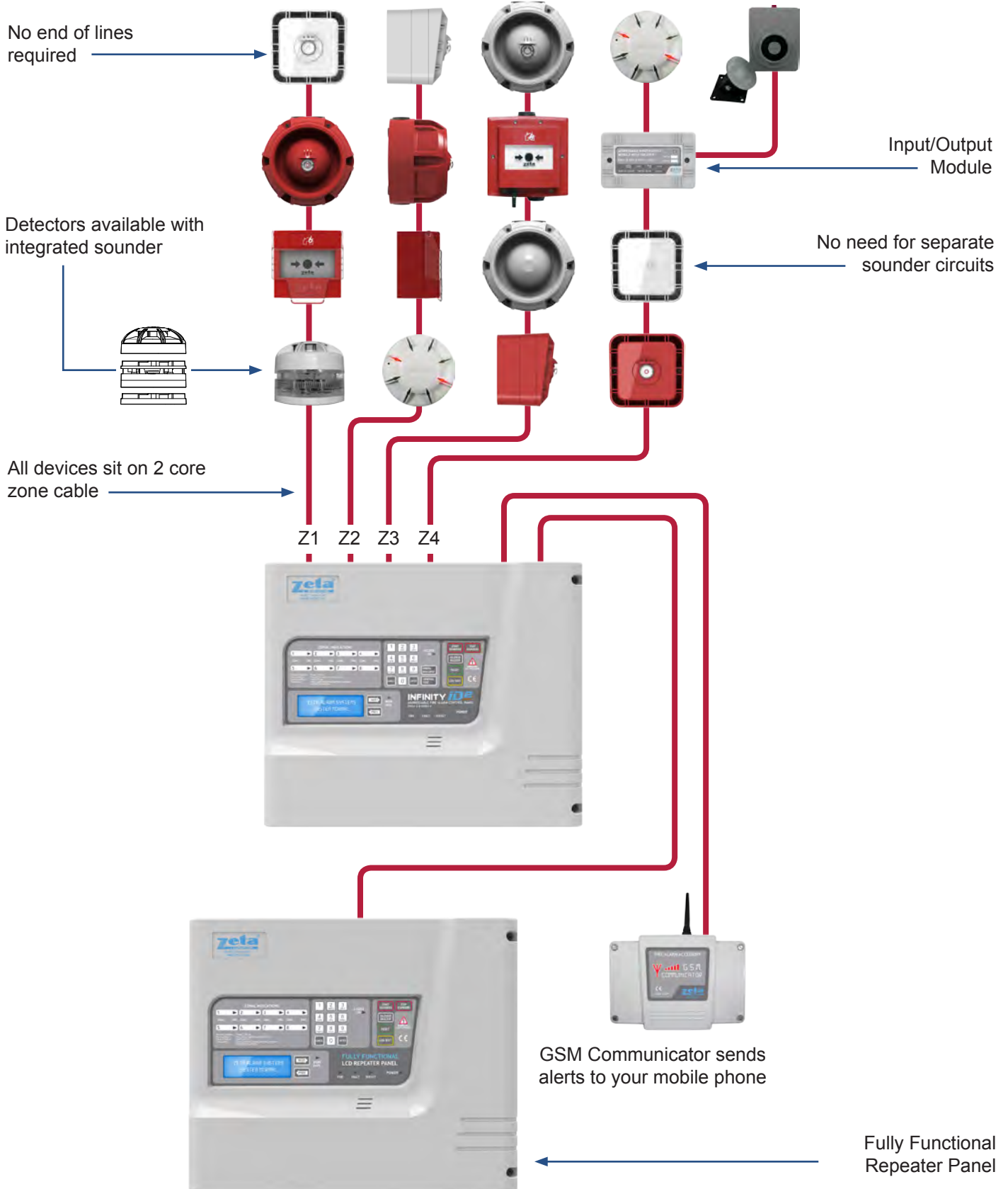
Technical Specification

Model	ID2/2	ID2/4	ID2/8
Part No.	37-660	37-661	37-663
Supply Voltage	230V AC +10% /- 15% @ 50/60 Hz		
System Voltage	29V DC Nominal (19 – 30 V)		
Sounder Output	Loop Powered Sounders 2 x Conventional sounder circuits 28V nominal, 150mA (20-30V DC)		
Fault Output	1 x Fault Relay SELV@1A (Normally Energised)		
Fire Output	1 x Fire Relay SELV@1A		
No. of Zones	2	4	8
Zone Capacity	15 Devices per Zone		
Max. No. of Detection Circuits	Radial Mode - 8 Radial Circuits Loop Mode - 1 Loop Circuit		
Max. Loop Sounder Quantity	80 Sounders		
Repeater Connection	RS485		
Dimensions (mm)	370(W) x 311(H) x 113(D)		

Smartphone App

Make "IDing" your devices a breeze with the ID2 smartphone app (available for iOS and Android)





Fyreye MkII Addressable Smoke Detectors

(MKII-AOP, MKII-AOH)



Description

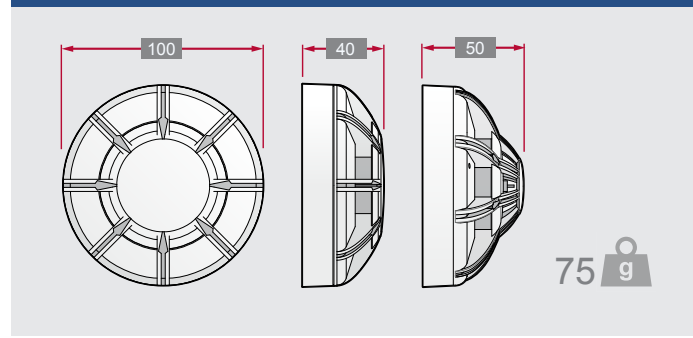
The Fyreye MKII optical smoke detector (MKII-AOP) uses a pulsing IR LED & photodiode to detect IR scatter caused by smoke entering the chamber.

The detector is particularly suitable for detecting optically dense smoke, involving materials such as soft furnishings, PVC, plastic, foam and all similar materials which produce small visible particles (0.5 to 10µm).

Features

- Designed to meet EN54 requirement
- Lockable to base to stop unauthorised removal
- Remote LED output
- 8 LEDs for improved, 360° visibility
- Compatible with all Fyreye MkII bases
- Addressed with dip switches or hand-held programmer

Dimensions (mm) & Weight (g)



Technical Specification

Model	MKII-AOP	MKII-AOP/B	MKII-AOH	MKII-AOH/B
Part No.	80-210	80-210/B	80-216	80-216/B
Detector Class	Optical Smoke		Combined Smoke & Heat A1	
Design Standard	EN54 part 7		EN54 parts 5 & 7	
Approval	LPCB			
Operating Voltage	17 to 28V DC			
Quiescent Current	500µA			
Alarm Current @ 24V DC	5mA			
Operating Temp. (°C)	-10 to +50°C		-10 to +50°C	
Min. Continuous Temp.	0°C			
Max. Humidity	95% RH non-condensing			
Alarm Condition	0.09dB/m to 0.11dB/m		0.09dB/m to 0.12dB/m Fixed heat trigger @ 57°C	
Coverage	100m ²		100m ²	
IP Rating	IP43			
Start-up Time	10 Seconds			
Size (with Base)	100 x 49 mm		100 x 59 mm	
Weight (with Base)	75g (133g)			
Remote Output	5mA at 24VDC			

Fyreye MkII Addressable Heat Detectors

(MKII-AHF, MKII-AHF/CS90, MKII-AHR)



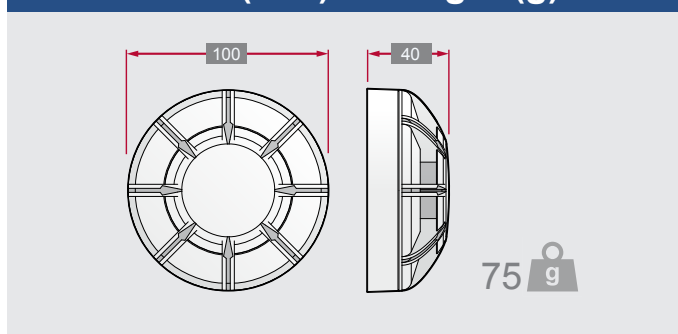
Description

The Fyreye MKII Rate of Rise heat detector (MKII-AHR) uses a thermistor arrangement to sense a quick rise in temperature and also a final threshold temperature of 57°C. The Fyreye fixed heat detector (MKII-AHF) has a single thermistor arrangement that gives an alarm at a temperature of 57°C, where the MKII-AHF/CS90 gives an alarm above 86°C.

Features

- Designed to meet EN54 requirement
- Lockable to base to stop unauthorised removal
- Remote LED output
- 8 LEDs for improved, 360° visibility
- Compatible with all Fyreye MkII bases
- Addressed with dip switches or hand-held programmer

Dimensions (mm) & Weight (g)



Technical Specification

Model	MKII-AHF	MKII-AHF/B	MKII-AHF/CS90	MKII-AHF/CS90/B	MKII-AHR	MKII-AHR/B
Part No.	80-214	80-214/B	80-218	80-218/B	80-212	80-212/B
Detector Class	Fixed Heat Only A2S		Fixed Heat Only CS		Rate of Rise & Fixed Heat Detector A1R	
Design Standard	EN54 part 5		EN54 part 5		EN54 part 5	
Approval	LPCB					
Operating Voltage	17 to 28V DC					
Quiescent Current	500µA					
Alarm Current @ 24Vdc	5mA					
Operating Temp. (°C)	-10 to +50°C		-10 to +80°C		-10 to +50°C	
Min. Continuous Temp.	0°C					
Max. Humidity	95% RH non-condensing					
Alarm Condition	Fixed heat trigger @ 57°C		Fixed heat trigger @ 90°C		Rate of rise or fixed heat trigger @ 57°C	
Coverage	50m ²		50m ²		50m ²	
IP Rating	IP43					
Start-up Time	10 Seconds					
Size (with Base)	100 x 49 mm		100 x 49 mm		100 x 49 mm	
Weight (with Base)	75g (133g)					
Remote Output	5mA at 24VDC					

Fyreye MkII Addressable Smoke Detectors with Built In Isolators (MKII-AOPI, MKII-AOHI)



MKII-AOPI









MKII-AOHI

Description

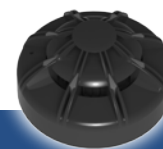
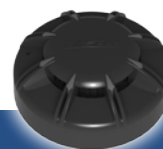
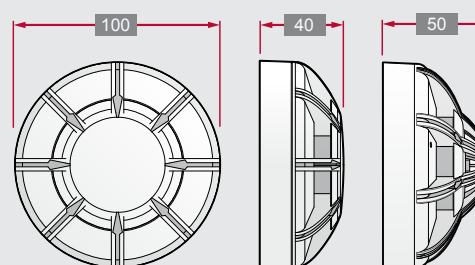
The Fyreye MkII optical smoke detector with built in isolator (MKII-AOPI) uses a pulsing IR LED & photodiode to detect IR scatter caused by smoke entering the chamber.

The detector is particularly suitable for detecting optically dense smoke, involving materials such as soft furnishings, PVC, plastic, foam and all similar materials which produce small visible particles (0.5 to 10µm).

Features

-  Designed to meet EN54 requirement
-  Lockable to base to stop unauthorised removal
-  Remote LED output
-  8 LEDs for improved, 360° visibility
-  Compatible with all Fyreye MkII bases
-  Addressed with dip switches or hand-held programmer

Dimensions (mm) & Weight (g)



Technical Specification

Model	MKII-AOPI	MKII-AOPI/B	MKII-AOHI	MKII-AOHI/B
Part No.	80-227	80-227/B	80-228	80-228/B
Detector Class	Optical Smoke		Combined Smoke & Heat A1	
Design Standard	EN54 parts 7 & 17		EN54 parts 5, 7 & 17	
Isolator Trigger	Voltage based with amber LED indication			
Operating Voltage	17 to 28V DC			
Quiescent Current	500µA			
Alarm Current @ 24V DC	5mA			
Operating Temperature	-10°C to +50°C			
Minimum Continuous Temp.	0°C			
Maximum Humidity	95% RH non-condensing			
Alarm Condition	0.09dB/m to 0.11dB/m		0.09dB/m to 0.12dB/m Fixed heat trigger @ 57°C	
Coverage	100m ²			
IP Rating	IP43			
Start-up Time	10 Seconds			
Size (with Base)	100 x 49 mm		100 x 59 mm	
Weight (with Base)	75g (133g)			
Remote Output	5mA at 24VDC			

Fyreye MkII Addressable Heat Detectors with Built In Isolators (MKII-AHFI, MKII-AHRI)



MKII-AHFI

MKII-AHRI

Description

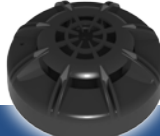
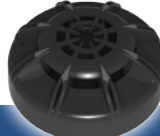
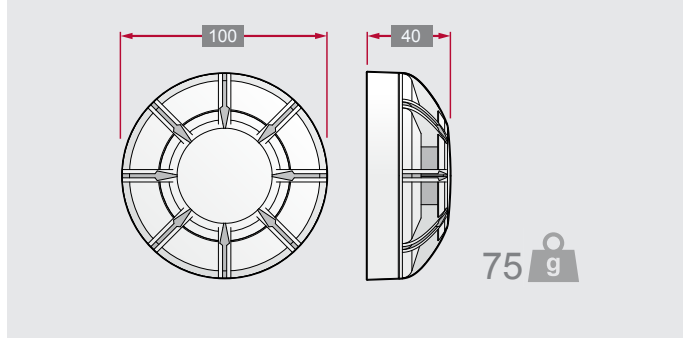
The Fyreye MkII Rate of Rise heat detector with built in isolator (MKII-AHRI) uses a thermistor arrangement to sense a quick rise in temperature and also a final threshold temperature of 57°C.

The Fyreye fixed heat detector with built in isolator (MKII-AHFI) has a single thermistor arrangement that gives an alarm at a temperature of 57°C, where the MKII-AHFI/CS90 gives an alarm above 86°C.

Features

- Designed to meet EN54 requirement
- Lockable to base to stop unauthorised removal
- Remote LED output
- 8 LEDs for improved, 360° visibility
- Compatible with all Fyreye MkII bases
- Addressed with dip switches or hand-held programmer

Dimensions (mm) & Weight (g)



Technical Specification

Model	MKII-AHFI	MKII-AHFI/B	MKII-AHFI/CS90	MKII-AHFI/CS90/B	MKII-AHRI	MKII-AHRI/B
Part No.	80-229	80-229/B	80-231	80-231/B	80-235	80-235/B
Detector Class	Fixed Heat Only A2S		Fixed Heat Only CS		Rate of Rise & Fixed Heat Detector A1R	
Design Standard	EN54 parts 5 & 17					
Isolator Trigger	Voltage based with amber LED indication					
Operating Voltage	17 to 28V DC					
Quiescent Current	500µA					
Alarm Current @ 24V DC	5mA					
Operating Temperature	-10°C to +50°C		-10°C to +80°C		-10°C to +50°C	
Min. Continuous Temp.	0°C					
Maximum Humidity	95% RH non-condensing					
Alarm Condition	Fixed heat trigger @ 57°C		Fixed heat trigger @ 90°C		Rate of rise or fixed heat trigger @ 57°C	
Coverage	50m ²					
IP Rating	IP43					
Start-up Time	10 Seconds					
Size (with Base)	100 x 49 mm					
Weight (with Base)	75g (133g)					
Remote Output	5mA at 24VDC					

Fyreye MkII Addressable Detector Bases

(MKII-CB, MKII-CB/D, MKII-IB, MKII-ISO, MKII-CBI & MKII-CB/DAP)



MKII-CB

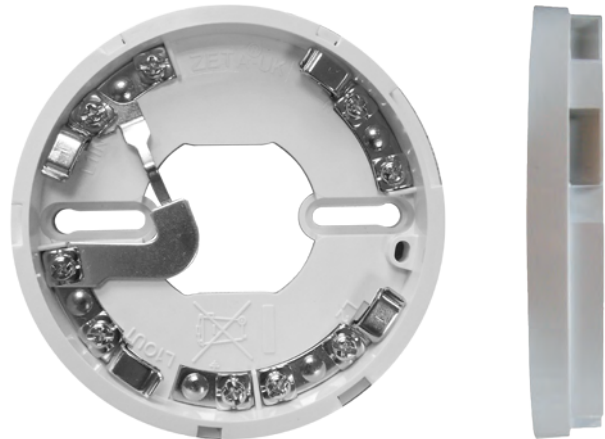
MKII-CB, MKII-CB/D, MKII-IB

The MkII range of detectors can be mounted on 3 different bases, a shallow base (MKII-CB), a deep base (MKII-CB/D) and an isolator base (MKII-IB).



MKII-CB/D

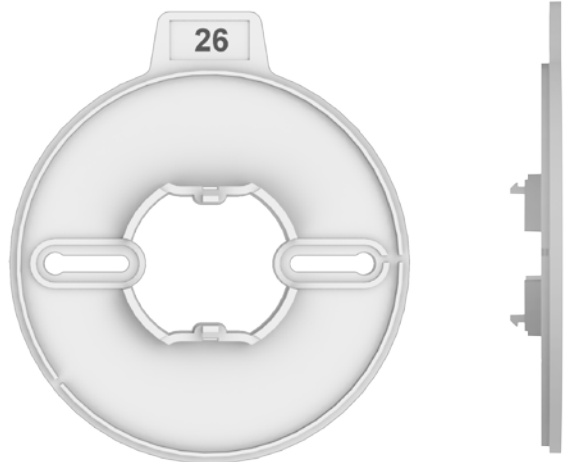
MKII-IB



MKII-CBI

MKII-CBI

Fyreye MKII Addressable Common Base for use with MKII-AOPI, MKII-AHRI, MKII-AHFI & MKII-AOHI

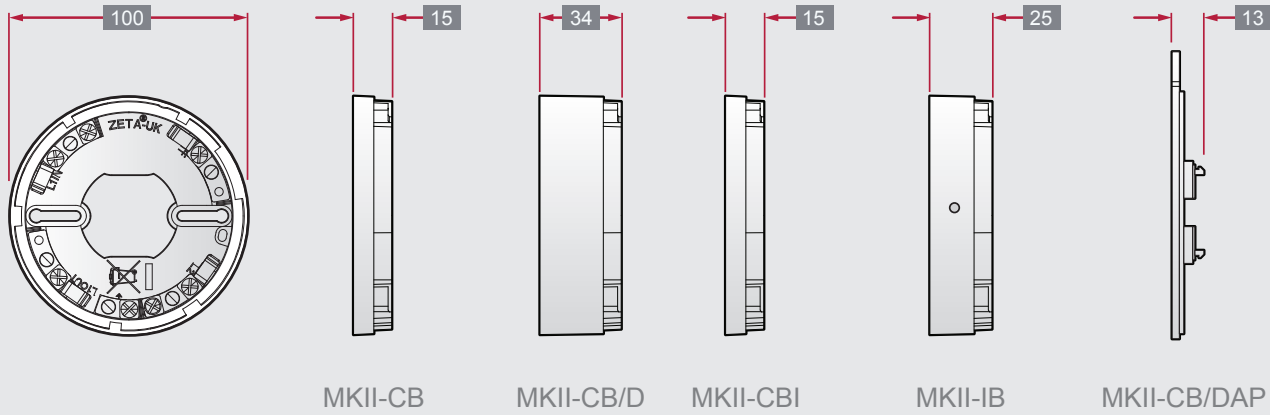


MKII-CB/DAP

MKII-CB/DAP

Also available is a new Detector Address Plate (MKII-CB/DAP) which can be used with the MKII-CB and MKII-CB/D bases. An address label can be fitted to the plate allowing the detector's address to be easily identified.

Dimensions (mm)



Technical Specification

Model	MKII-CB	MKII-CB/D	MKII-CBI	MKII-IB	MKII-ISO	MKII-CB/DAP
Part No.	80-220	80-221	80-230	80-0908	80-0918	80-225
Type	Common base	Common base (Deep)	Common base	Isolator base	Isolator base and cover	Detector Address Plate
Supply Voltage	9-33V DC			17-28V DC		
Quiescent Current @ 24V	0µA			50µA		
Alarm Current @ 24V	0mA			7mA		
Operating Temp.	-20°C to 90°C (non-condensing or icing)					
Max. Wind Speed	Not affected					
Connections	L1in, L1out, L2, -R & Earth			IN+, IN-, OUT+, OUT-		
Size	100 x 15mm	100 x 34mm	100 x 15mm	100 x 25mm	100 x 33mm	100 x 13mm
Weight	48g	60g	48g	85g	90g	17g

The Fyreye MKII Addressable Detector bases are also available in black. To order add suffix /B eg. MKII-CB/B



Fyreye MkII Sandwich Sounder

(MKII-SSB)



Technical Specification

Model	MKII-SSB
Part Number	80-224
Operating Voltage	17 – 28V DC
Quiescent Current	650µA
Alarm Current	5.5mA
Sound Output	Approx 85 dB (See Table)
Min. Operating Temp.	0°C
Operating Temperature	-10°C to +55°C
Max Humidity	95% RH Non Condensing
Ip Rating	IP 21C
Size (mm)	100 x 40 (Without Detector)
Weight	160g

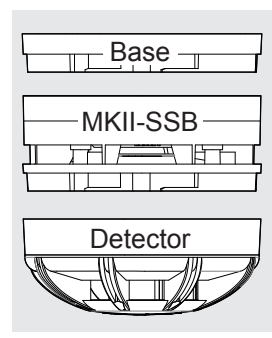
Alarm Tone Selection

The Sandwich sounder Supports alarm tone selection. The alarm tone can be set for the whole loop via the control panel. One of 16 tones can be chosen for the alarm tone.

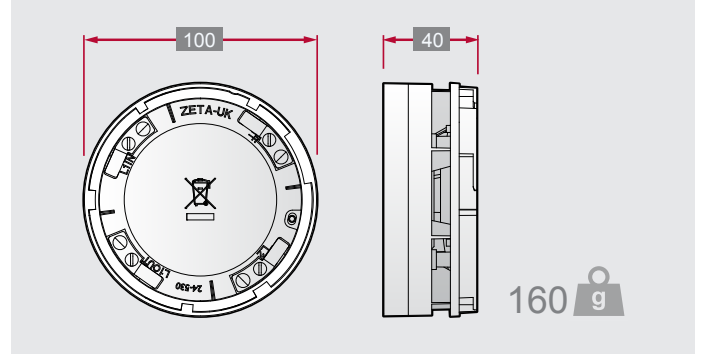
Description

The Fyreye II Sandwich sounder base is a platform sounder that works with the Zeta Fyreye II protocol. The sounder can be triggered from it's detectors remote LED output, allowing the sounders to be triggered individually. It can also be triggered using the Protocol's common sounder group command, meaning that it can be triggered even if it's detector has been removed.

This sounder has been designed to be sandwiched between a common base and an addressable Fyreye II Detector. All loop cables are terminated at the detector base, with the sounder base clipping onto the common base. The sounder should then be secured with it's grub screw to prevent unauthorised removal. The sounder does not need to be addressed. If it is to be started individually, it is controlled by the detector's remote LED output.



Dimensions (mm) & Weight (g)



No	Tone Description	Pattern	Frequency	Rate	dBA (Reverb. Chamber)
0	BS Fire (Default Zeta tone)	Alternating	800 & 970	1Hz (500ms-500ms)	96 (+/- 2dB)
1	BS Fire	Alternating	800 & 970	2Hz (250ms-250ms)	95 (+/- 2dB)
2	BS Fire	Sweep	800 to 970	1Hz (1 per second)	98 (+/- 2dB)
3	BS Fire	Sweep	800 to 970	7Hz (7 per second)	99 (+/- 2dB)
4	BS Fire	Sweep	800 to 970	50Hz (50 per second)	99 (+/- 2dB)
5	BS Fire	Alternating	510 & 610	1Hz (500ms-500ms)	100 (+/- 2dB)
6	German fire (DIN 33 404)	Sweep (DIN)	1200 to 500	1Hz	99 (+/- 2dB)
7	French fire (NFS 32-001)	Alternating	554 & 440	100ms-400ms	95 (+/- 2dB)
8	Dutch fire (NEN 2575)	Slow whoop	500 to 1200	3.5s sweep, 0.5 s silence, then repeat	98 (+/- 2dB)
9	PFEER Toxic Gas	Continuous	970	Steady	95 (+/- 2dB)
10	PFEER alert	Intermittent	970	0.5Hz (1s On/1s Off)	92 (+/- 2dB)
11 to 15	Reserved	-	-	-	-

Addressable Call Points

(ZT-CP3/AD & ZT-CP3/WP/AD)



Description

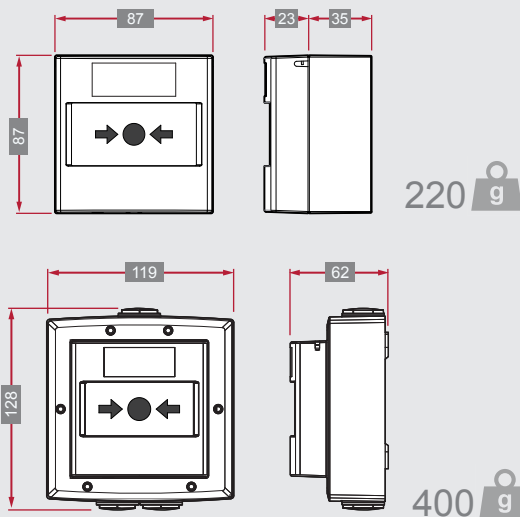
The ZT-CP3/AD and ZT-CP3/WP/AD addressable call points are unique in that they mimic the feel of breaking glass whilst offering the user the benefits and environmental advantages of a re-settable operating element.

Addressing these call points is via an 8 way dip switch on the back of the call point.

A special Polycarbonate cover (CP3-CV) is available for extra protection against accidental activation and thus allowing the unit to operate as a double action call point. This must be ordered separately.



Dimensions (mm) & Weight (g)



Features

- EN54-11 approved
- Waterproof tested to IP67 (ZT-CP3/WP/AD only)
- Glass appearance maintains operator deterrence
- Positive activation that mimics the feel of breaking glass
- Visible warning flag confirms activation
- Simple key to reset operating element (no broken glass)
- Complete functional test with every activation
- Available in two colours

Technical Specification



Model	ZT-CP3/AD	ZT-CP3/AD/W	ZT-CP3/WP/AD
Input Voltage	17-28V DC		
Element Type	Resettable		
Quiescent Current	600µA Maximum		
Alarm Current	2.5mA Maximum		
Operating Temperature	-20 degrees C to +60 degrees C		
Max Humidity	95%RH Non-Condensing		
IP Rating	IP32		IP67
Size (W x H x Dmm)	87 x 87 x 23		119 x 119 x 62

Optional Extras

Order Code	Description
CP3-CV	Perspex Cover for CP3 Series Manual Call Point
CP3-FMB	Flush Mount Bezel For Indoor CP3 Series Manual Call Points

Fyreeye MkII Addressable Input Module With Isolator (ZAI-MI)



Description

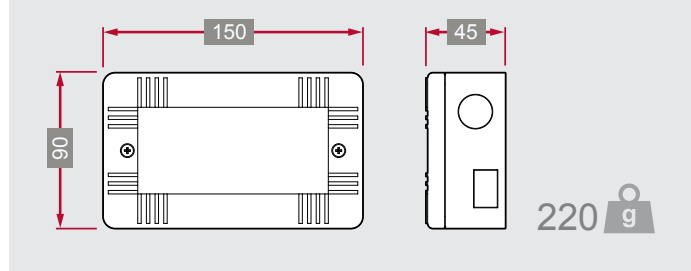
The ZAI-MI is an input module supplied in a modern enclosure (2 gang box size) with well protected electronic circuit board to minimize any damages during installation.

It is supplied with a back box suitable for surface mount indoor installation. Designed and manufactured to meet the requirement of EN54-18 2005 and EN54-17 2005.

The ZAI-MI is used to monitor and raise alarm from any ancilliary equipment such as sprinkler flow switch, aspiration detectors, secondary fire control panel, beam detectors, external power supplies etc.

For more details and connection information consult the installation guide.

Dimensions (mm) & Weight (g)



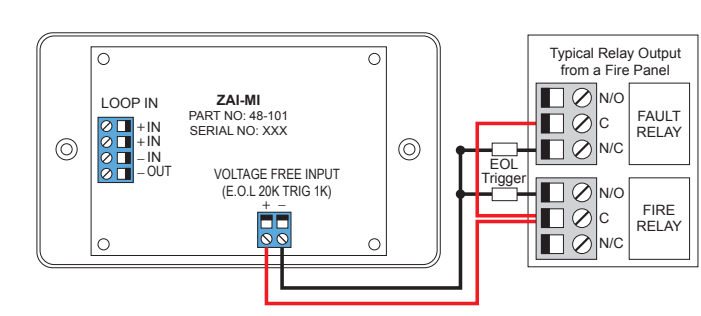
Features

- ✓ Loop powered (60 devices per loop as maximum)
- ✓ Hand addressed using the 8 way dip switch OR
- ✓ Softly addressed using our handheld MKII Programmer (part no. 48-004)
- ✓ Equipped with short circuit line isolator
- ✓ Extensive front unit indications

Technical Specification

Model	ZAI-MI
Part Number	48-101
Operating Voltage	17-28V DC
Quiescent Current @ 24V	1.0mA
Switch Input Closed (LED OFF)	1.25mA
Switch Input Closed (LED ON)	3.60mA
Isolating Current	7.3mA
Input End of Line	20k
Alarm Triggering Resistor	1k
Operating Temperature	-10°C to +55°C
Max Humidity	95% RH Non Condensing
IP rating	IP21C
Size (mm)	150 x 90 x 45
Weight	220g

Typical Wiring Diagram



Front Unit Indications

Status	LED Indication
Alarm	Illuminated red when the Input Module is in alarm
Fault	Illuminated yellow when the Input Module is in fault
Polling	Flashed green when the Input Module communication with panel
Isolating	Illuminated yellow when the EOL loop is short or wrong connection circuit

Fyreye MkII Addressable Input/Output Module With Isolator (ZAIO-MI)



Description

The ZAIO-MI is both an input and output module in a modern enclosure (2 gang box size) with well protected electronic circuit board to minimize any damages during installation.

It is supplied with a back box suitable for surface mount indoor installation. Designed and manufactured to meet the requirements of EN54-18 2005 and EN54-17 2005.

The ZAIO-MI is used when both an input needs to be monitored and at the same time a local output (relay output) needs to be triggered to switch ancillary equipment on or off during an alarm condition.

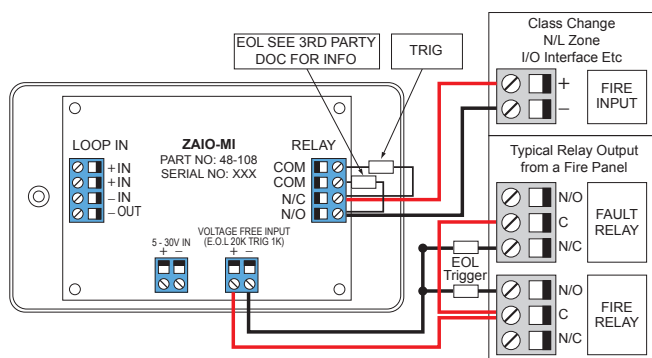
Typical output triggering includes: controlling lift operation during an alarm, starting fire pump, stopping ventilation fans etc.

For more details and connection information consult the installation guide.

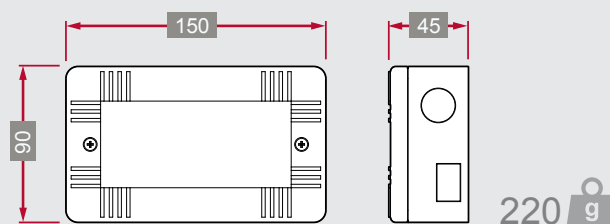
Features

- Loop powered (60 devices per loop as maximum)
- Hand addressed using the 8 way dip switch OR
- Softly addressed using our handheld MKII Programmer (part no. 48-004)
- Equipped with short circuit line isolator
- Extensive front unit indications

Typical Wiring Diagram



Dimensions (mm) & Weight (g)



Technical Specification

Model	ZAIO-MI
Part Number	48-108
Operating Voltage	17-28V DC
Quiescent Current @ 24V	1.0mA
Switch Input Closed (LED OFF)	1.25mA
Relay Operated (LED ON)	2.0mA (Max 2 LEDs on)
Relay Rating	SELV @ 1A
Isolating Current	7.3mA
Input End Of Line	20k
Alarm Triggering Resistor	1k
Operating Temperature	-10°C to +55°C
Max Humidity	95% RH Non Condensing
IP rating	IP21C
Size (mm)	150 x 90 x 45
Weight	220g

Front Unit Indications

Status	LED Indication
Switch closed	Illuminated red when monitored field contact is activated
Relay on	Illuminated red when relay is energized
Fault	Illuminated yellow when the input is open or short circuit
Polling	Flashed green when the device is polled by control panel
Isolating	Illuminated yellow when the loop is short or wrong connection circuit

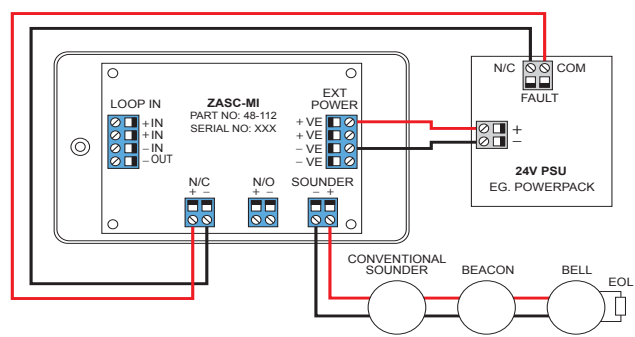
Fyreye MkII Addressable Sounder Control Module With Isolator (ZASC-MI)



Features

- ✔ This is not a loop powered device and an adequate 24Vdc input (with battery backup) is needed.
- ✔ Hand addressed using the 8 way dip switch OR
- ✔ Softly addressed using our handheld MKII Programmer (part no. 48-004)
- ✔ Equipped with short circuit line isolator

Typical Wiring Diagram



Front Unit Indications

Status	LED Indication
Alarm	Illuminated red when the Sounder Control Module is in alarm
Fault	Illuminated yellow when the Sounder Control Module is in fault
Open	Illuminated yellow when the sounder input is in open state
Short	Illuminated yellow when the sounder input is in short state
Polling	Flashed green when the module is communicating with the panel
Isolating	Illuminated yellow when the loop is short or wrong connection circuit
Ext Power	Illuminated green when Ext Power is connected correctly
Input	Illuminated green when the Ext Power is active

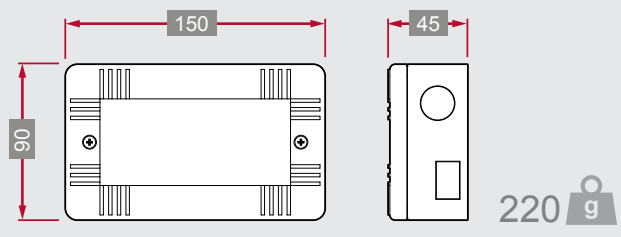
Description

The ZASC-MI is supplied in a modern enclosure (2 gang box size) with well protected electronic circuit board to minimize any damages during installation.

It is supplied with a back box suitable for surface mount indoor installation. Designed and manufactured to meet the requirement of EN54-18 2005 and EN54-17 2005.

The ZASC-MI can be used to supply a monitored 24Vdc to operate external relays and as a conventional sounder circuit to run bells or beacon flashers where the current consumption prohibits the use of addressable loop powered devices. The unit also includes input connections to monitor the external power supply status and report the findings to the addressable control panel.

Dimensions (mm) & Weight (g)



Technical Specification

Model	ZASC-MI
Part Number	48-112
Operating Voltage (Loop)	17 – 28V DC
Quiescent Current (Loop)	0.6 mA
Fault Current (Loop)	0.6 mA
Sounder On Current (Loop)	0.8 mA
Operating Voltage (Ext. Power)	9-32V DC
Quiescent Current (Ext. @ 24V)	2 mA
Sounder On Current (Ext. @ 9V)	2.5mA Plus Sounder Load
Sounder On Current (Ext. @ 32V)	9.5mA Plus Sounder Load
Sounder Output Rating	500 mA
Isolating Current	7.3mA
Sounder End of Line	10k
Operating Temperature	"-10C to 55C"
Max Humidity	95% RH Non Condensing
IP Rating	IP21C
Size	150 x 90 x 45 mm
Weight	220g

Fyreye MkII Addressable Zone Monitor Module With Isolator (ZAZM-MI)



Description

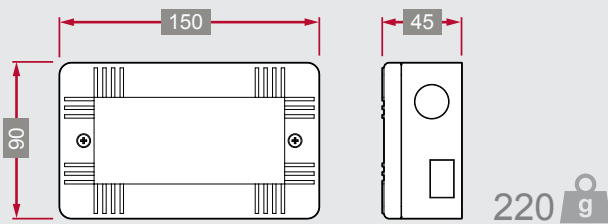
The ZAZM-MI is supplied in a modern enclosure (2 gang box size) with well protected electronic circuit board to minimize any damages during installation.

It is supplied with a back box suitable for surface mount indoor installation. Designed and manufactured to meet the requirement of EN54-18 2005 and EN54-17 2005.

The ZAZM-MI is a conventional zone that can be used for conventional devices and/or for special detectors that are not available in addressable form such as UV detectors, Aspiration detectors etc.

For more details and connection information consult the installation guide.

Dimensions (mm) & Weight (g)



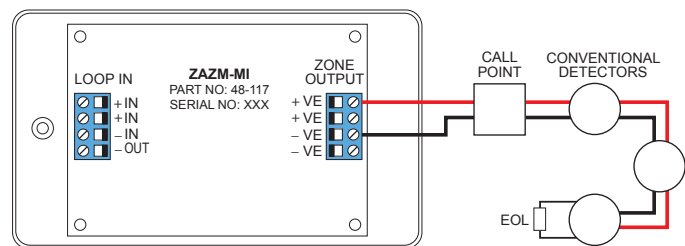
Features

- This is a loop powered device, however loop load calculation must be performed to determine the permissible quantity of ZAZM-MI per loop.
- Hand addressed using the 8 way dip switch OR
- Softly addressed using our handheld MKII Programmer (part no. 48-004)
- Equipped with short circuit line isolator
- Extensive front unit indications

Technical Specification

Model	ZAZM-MI
Part Number	48-117
Operating Voltage	17 – 28V DC
Quiescent Current	3.5mA
Alarm Current (LED OFF)	12.6 mA
Alarm Current (LED ON)	13.2 mA
Isolating Current	7.3mA
End of Line Resistor	6.2k
Nominal Alarm Triggering Resistor	1k
Operating Temperature	"-10C to 55C"
Max Humidity	95% RH Non Condensing
IP Rating	IP21C
Size	150 x 90 x 45 mm
Weight	220g

Typical Wiring Diagram



Front Unit Indications

Status	LED Indication
Alarm	Illuminated red when conventional detector zone is in alarm
Polling	Flashed green when the zone monitor is communicating with panel
Isolating	Illuminated yellow when the loop is short or wrong connection circuit

Mains IO 1 Channel Input/Output Module (ZIOU/I-230 & ZAIOI/230)



Description

The Mains IO Modules are fully monitored loop powered devices which permit the interfacing of third party equipment with the Fire Alarm Control panel using normally open dry contact connections.

The connection to the input is monitored for fault (open or short circuit) and Alarm conditions.

The interface is used to monitor the contacts of an external system which must be interfaced to the Fire Alarm System, for example a Flow Switch in a sprinkler system to indicate if the sprinklers have been activated or extinguishant level monitoring in Gas Extinguishing systems, etc.

Module is provided with a loop short-circuit isolator and with a voltage free single pole change over mains rated output. The output relay is always powered directly from the detection loop. It is not required to use an external 24V DC power supply. Relay operation is confirmed by an on-board red LED

An 8 way D.I.L switch is provided to configure the module's address. This value can be set in the range 1 to 125.

The following programmable functions are available: Input Activation Mode, Delayed Input Alarm Activation, Output Delayed Activation.

Features

- Fast Activation Response
- Loop Powered
- Five Status LEDs provided
- Low Power Consumption
- Module features an integral short-circuit loop isolator
- Single mains rated relay contact

Technical Specification

Model	ZIOU/I-230	ZAIOI/230
Part No	48-125	48-126
Description	Mains Switching I/O Unit - Standard Protocol	Mains Switching I/O Unit - Fyreye MKII Protocol
Supply Voltage	Loop Powered - 17V to 30V DC	
Loop Current - Quiescent (I _Q)	1.3 mA	
Loop Current - Alarm	2.9 mA	
Loop Current - Fault	2.9 mA (SC) - 2.6 mA (OC)	
Loop Current - Output Active	2.8 mA	
Output Relay Contact Rating	8A 250 VAC / 30V DC	
Max. Cable Size	2.5 mm ²	
Case Material	ABS	
Max. Humidity	95% RH Non-Condensing	
Operating Temperature	-10°C to 50°C	
Dimensions	150 (W) x 90 (L) x 32 (H)	
Weight	210g inc. packaging	

Remote LED Indicators

(MKII-ARL/C & MKII-ARL/W)

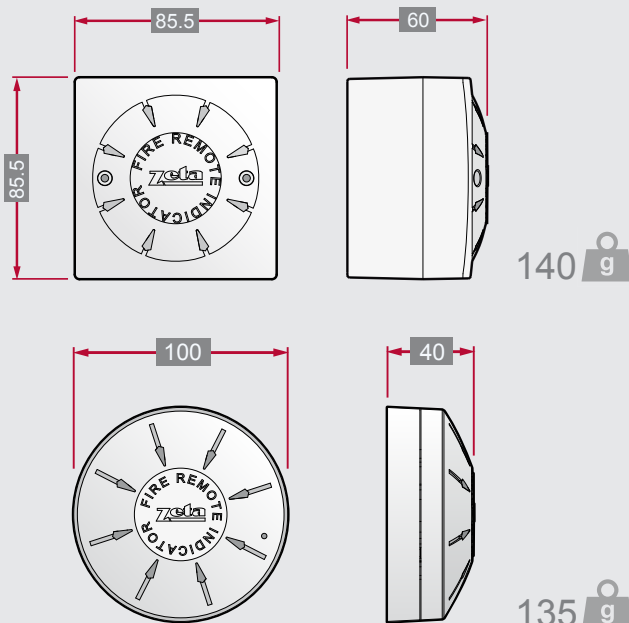


MKII-ARL/C



MKII-ARL/W

Dimensions (mm) & Weight (g)



Description

There are two models for the remote LED indicator, a wall type MKII-ARL/W and ceiling mounted type (requires a base) MKII-ARL/C.

Each unit is equipped with 8 LEDs and mimics the detector LED in alarm condition.

Features

- The indicators can be hard addressed via 8 way dip-switch OR
- Softly addressed using the MKII handheld programmer
- Each indicator can be programmed for one device or up to 12 devices
- Each indicator will be connected directly on to the detection loop

Technical Specification

Model	MKII-ARL/W	MKII-ARL/C
Part No.	48-034	48-033
Quiescent Current	450µA	450µA
Alarm current	2.10mA	2.10mA
Dimensions (mm)	(W) 85.5 x (H) 85.5 x (D) 60	(Dia) 100 x (D) 40
IP Rating	IP43	IP43
System Voltage	17 to 28 Vdc	17 to 28Vdc

MkII Handheld Programmer (MKII-TOOL)

The MkII Handheld Programmer is designed to compliment all MkII devices and to assist the commissioning engineer on site.



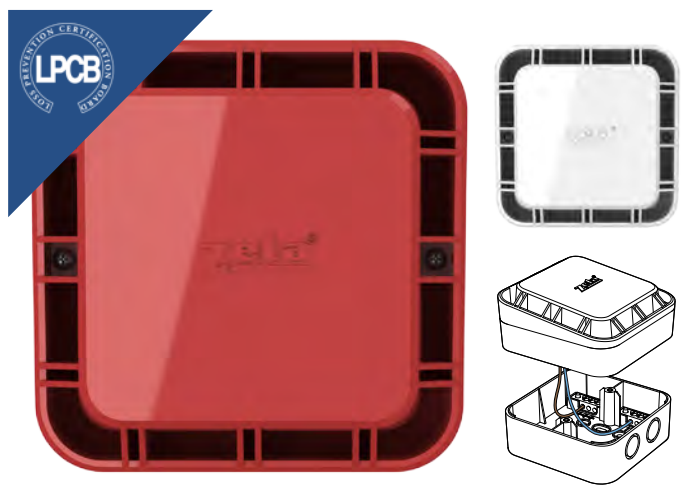
Smoke and heat detectors can be tested when plugged on the programmer and alarm LED's can be verified prior to installation.

The unit will softly address all devices without using the incorporated dip-switch on the field devices.

The MkII Programmer can re-program the opto-heat detectors to either heat or smoke detector.

- 2 LED indications. One to indicate that the unit is charging, the other one indicates the status of the detector's remote LED output.
- Battery Charge state indicator
- Auto-Off when the programmer is not operated for two minutes
- External Reset Function
- 20x4 Character LCD Display

Xtratone Addressable Wall Sounder (MKII-AXT/R & MKII-AXT/W)



Description

The Xtratone sounders are small, high output addressable devices which are designed to meet EN54 part 3.

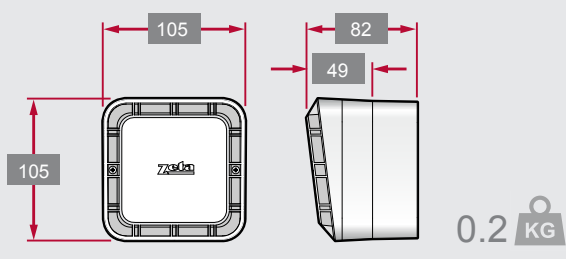
The device is a compact unit that fits a standard European back box and can be either surface or semi-flush mounted.

The Xtratone sounder has been designed so that field cables can be terminated in the back box as a first fix.

Features

- Complies to EN54 parts 3
- 102dB @ 1m sound output
- 16 tones can be selected from control panel
- Hard addressed via 8 way dip-switch OR
- Soft addressed via MKII Handheld Programmer
- Flush or surface fixing
- Housed in UL V0 flame retardant ABS
- 4 x 20mm cable entries (2 top, 2 bottom)
- First fix, wire to back box technology

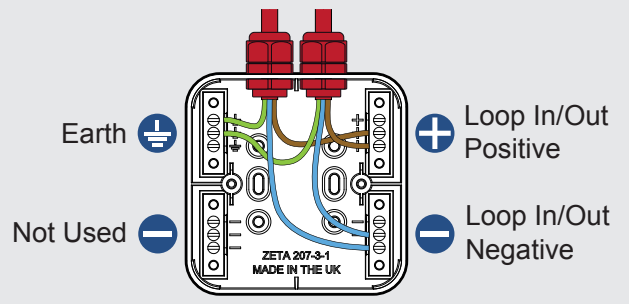
Dimensions & Weight



Technical Specification

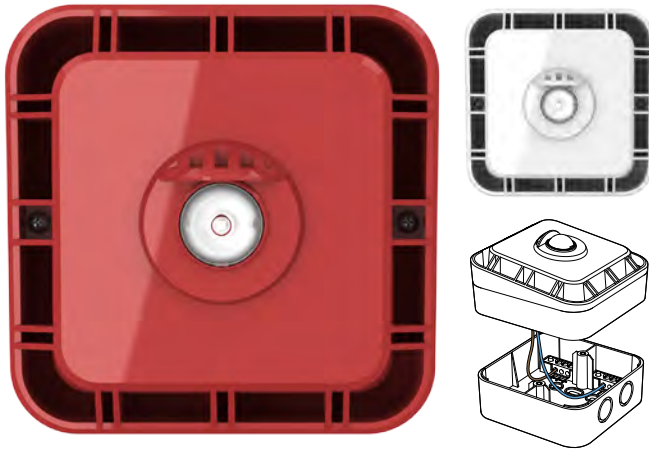
Model	MKII-AXT/R	MKII-AXT/W
Part Number	42-610	42-611
Colour	Red	White
Operating Voltage	17 – 28V Dc	17 – 28V Dc
Quiescent Current	650mA	
Alarm Current	4.5mA	
Sound Output	*102dB +/- 2dB	
Minimum Continuous Operating Temperature	0°C	
Operating Temperature	-10°C To +55°C	
Max Humidity	95% Rh Non Condensing	
IP Rating	IP 21C	
Size mm (with back box)	105 x 105 x 49mm (105 X 105 X 82mm)	
Weight	200g	

First Fix



* This applies to 'TONE 0' 800Hz and 970Hz, 500ms each

Xtratone Addressable Combined Sounder Beacon (MKII-AXTB/R & MKII-AXTB/W)



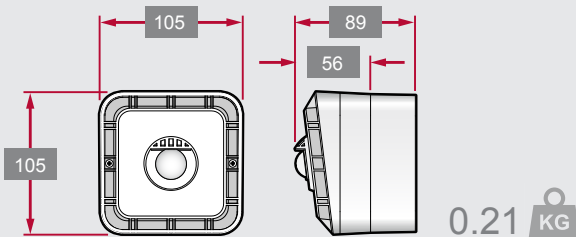
Description

The new Xtratone addressable wall sounder with beacon has been designed to make an “electronics free” first fix and is available in red or white. The beacon has a coverage pattern of W 3.0 - 8.9 and the sounder part has 16 tones selectable at the control panel.

Features

- 102dB @ 1m sound output
- 16 tones can be selected from control panel
- Flash rates between 0.33Hz and 1.5Hz
- Hard addressed via 8 way dip-switch OR
- Soft addressed via MKII Handheld Programmer
- Flush or surface fixing
- Housed in UL V0 flame retardant ABS
- 4 x 20mm cable entries (2 top, 2 bottom)
- First fix, wire to back box technology

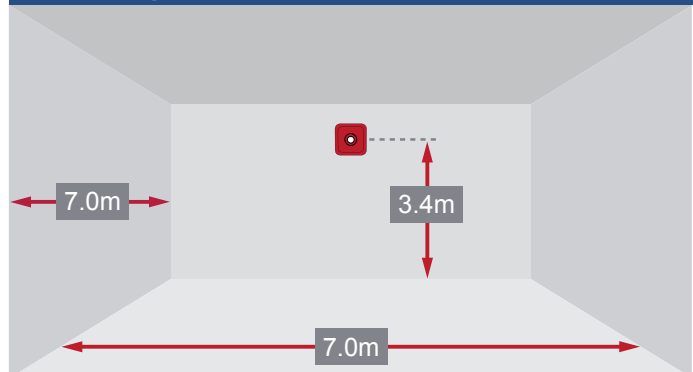
Dimensions & Weight



Technical Specification

Model	MKII-AXTB/R	MKII-AXTB/W
Part Number	42-617	42-618
Operating Voltage	17 – 28V DC	
Quiescent Current	1.5mA	
Alarm Current	18 to 43mA	
Sound Output	96dB	
Colour	Red body, Clear Flash	White body, Clear Flash
Minimum Continuous Operating Temperature	0°C	
Operating Temperature	-10°C To +55°C	
Max Humidity	95% Rh Non Condensing	
IP Rating	IP21C	
Size mm (with back box)	105x 105 x 56mm (105 X 105 X 89mm)	
Weight	210g	

Coverage

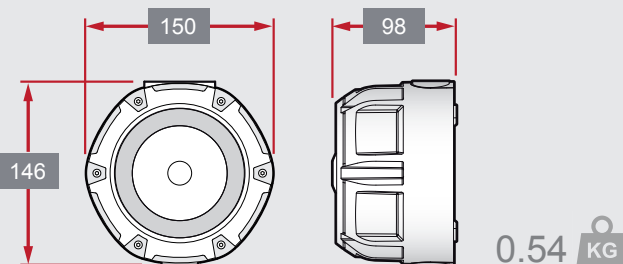


* This applies to 'TONE 0' 800Hz and 970Hz, 500ms each

Raptor Addressable Weatherproof Sounder (ZRAP/R & ZRAP/W)



Dimensions & Weight



Technical Specification

Model	ZRAP/R	ZRAP/W
Part No.	42-635	42-636
Voltage	17 - 28V DC	
Quiescent Current	1.5mA	
Alarm Current	5.5mA	
Body Colour	Red	White
Sounder Type	B	
IP Rating	IP 65	
Operating Temperature	-10°C to 55°C	
Sound Output @ 1m	100dB	
Size mm	150 x 146 x 98	
Weight	540g	

* This applies to 'TONE 0' 800Hz and 970Hz, 500ms each

Description

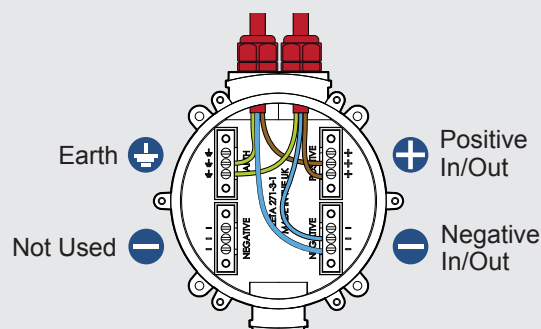
The Raptor addressable sounder is a large weatherproof horn sounder suitable for many indoor & outdoor applications.

It is available in red or white and has 16 tones selectable at the control panel. Termination of field wiring is made to the backbox for a clean first fix.

Features

- ✓ Complies with EN54 Part 3 Type B
- ✓ 107dB +/- 3dB @ 1m sound output
- ✓ 16 Tone patterns (site selectable)
- ✓ Suitable for surface mounting only
- ✓ Housed in UL V0 flame retardant ABS
- ✓ 3 x 20mm cable entries (2 top, 1 bottom)
- ✓ First fix, wire to back box technology
- ✓ IP65 Rating

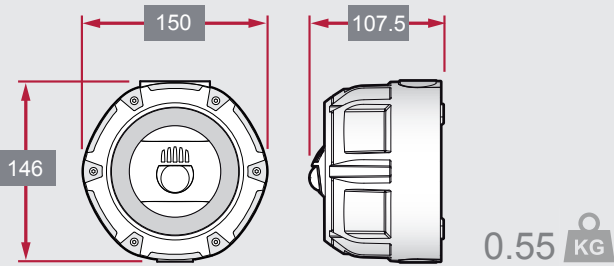
First Fix



Raptor Addressable Weatherproof Sounder Beacon (ZRAPB/R & ZRAPB/W)



Dimensions & Weight



Technical Specification

Model	ZRAPB/R	ZRAPB/W
Part No.	42-637	42-638
Voltage	17 - 28V DC	
Quiscent Current	1.5mA	
Alarm Current	18 - 43mA	
Flash Colour	White	White
Flash Frequency	0.5Hz	
Body Colour	Red	White
Sounder Type	B	
IP Rating	IP 65	
Operating Temperature	-10°C to 55°C	
Sound Output @ 1m	100dB	
Size mm	150 x 146 x 107.5	
Weight	550g	

* This applies to 'TONE 0' 800Hz and 970Hz, 500ms each

Description

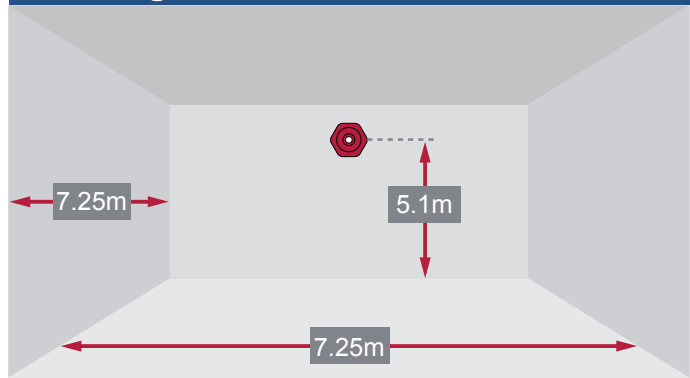
The Raptor addressable sounder with beacon has a coverage pattern of W 2.9 - 8.5 and the sounder part has 16 tones selectable at the control panel. It has a flash rates between 0.33Hz and 1.5Hz

It has been designed to make an "electronics free" first fix and is available in red or white.

Features

- Complies with EN54 Pt 3 Type B & EN54 Pt 23
- 107dB +/- 3dB @ 1m sound output
- 16 Tone patterns (site selectable)
- Suitable for surface mounting only
- Housed in UL V0 flame retardant ABS
- 3 x 20mm cable entries (2 top, 1 bottom)
- First fix, wire to back box technology
- Flashing rate 0.5Hz

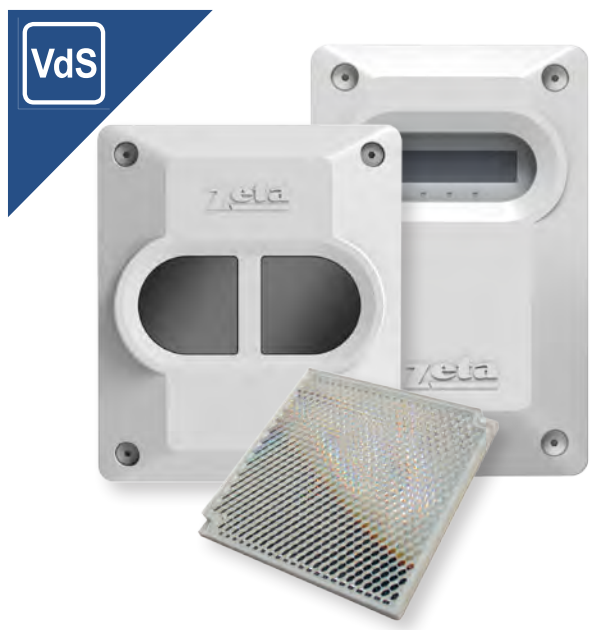
Coverage



Zeta Optical Beam Smoke Detector



(ZT-BEAM, ZT-BEAM/KIT80, ZT-BEAM/KIT100)



ZT-BEAM

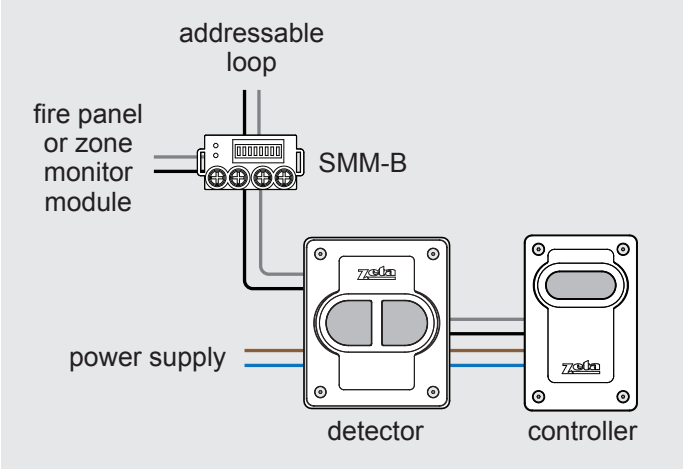
VdS

Description

Developed to overcome the problems of old outdated technology in beam detection, this motorised beam now means that beam detection can be used reliably to produce cost effective solutions for protecting large areas.

Building movement and accessibility have in the past, made beam detection unreliable, difficult, time consuming to commission and hard to maintain, but now by using the advanced motorised technology of the firebeam unreliability is no longer a problem. The ZT-BEAM will self align itself to the centre of the reflector when commissioning and will automatically keep alignment with the reflector when building movement occurs. This intelligent motorisation will mean less false alarms therefore saving time, resources, reputations and ultimately money.

Connection Diagram



Features

- Motorised head unit
- Controller unit (mounted at low level)
- Designed to comply with EN54 part 2
- Compatible with most major fire panels
- Very low power consumption
- Uses only 3mA at all times

Order Information

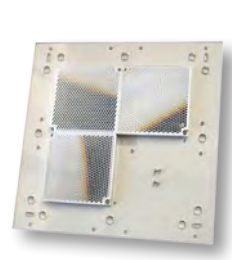
For 40m Beam	ZT-BEAM
For 80m Beam	ZT-BEAM + KIT/80
For 120m Beam	ZT-BEAM + KIT/100
For Zone Monitor Module	ZAZM-MI

Additional System Components

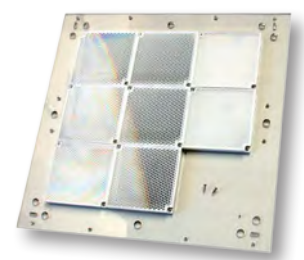
- ZT-BEAM/KIT80 Mid range kit for distances between 40 and 80 metres.
- ZT-BEAM/KIT100 Long range kit for distances between 80 and 100 metres.

Special Mini Module (SMM-B)

This module (part no. 48-128) allows the Zeta Beam - auto aligning beam detector to be connected to an addressable loop (Max 16 per loop)



ZT-BEAM/KIT80



ZT-BEAM/KIT100

UV/IR & Triple IR (IR3) Flame Detectors (ZT-20P, ZT-20EX & ZT-500EX)



ZT-20P



ZT-20EX



ZT-500EX



Features

- UV/IR Spectrum - for medium distance detection and high false alarm immunity (ZT-20P & ZT-20EX)
- Triple IR Spectrum - for longer distance detection and high false alarm immunity (ZT-500EX only)
- Compact and lightweight design
- ZT-20EX & ZT-500EX Enclosure options:
 - Aluminium
 - Stainless (ST 316L) for offshore facilities
- User Selectable (Sensitivity/Functions)
- Multiple output options:
 - Relays for Alarm and Fault
 - 0-20mA (stepped)
 - RS-485/RS-232 spectrum monitoring
- Lower power requirement (35mA - standby / 75mA - alarm)
- Ex cable gland / 2 metre cable assembled & provided for users' easy installation
- Certifications:
 - ATEX approved by DNV for explosion-proof
 - CE marking

Description

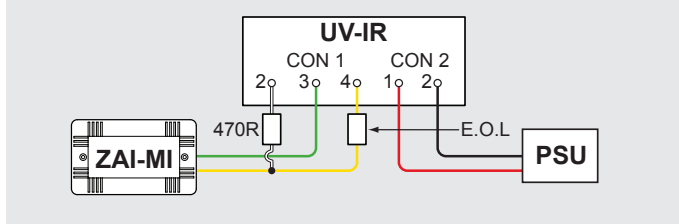
The new range of UV/IR and Triple IR Flame Detectors detect fuel and gas fires at long distances with the highest immunity to false alarms.

The ZT-20P and the ZT-20EX can detect a 0.1m² gasoline pan fire at 30m in less than 5 seconds. The ZT-500EX can detect the same fire at 65m in less than 5 seconds.

New features include RS484/RS232 compatibilities for digital communications; lower power requirements; and a compact, lighter design.

ZT-20EX and ZT-500EX series are approved to ATEX by DNV for explosion-proof.

Connection Diagram



Applications

Non Hazardous (ZT-20P)

- Non-Hazardous Areas
- Semiconductor Process Equipments
- Warehouse
- Waste disposal facilities

Hazardous (ZT-20EX & ZT-500EX)

- Offshore Oil & Gas Installations
- Onshore Oil & Gas Installations and Pipelines
- Petrochemical plants
- Chemical plants
- Shipbuilding facility
- Automotive industry
- Storage tank farms
- Power generation facility
- Painting industry
- Warehouse
- Waste disposal facility
- Explosive & Munitions



Product Compatibility Chart

	Repeater Panels				Addressable Detectors						Addressable Sounder				Addressable Interface						Detector Bases			Remote Led					
	SP-REP	QT-REP	ID2/REP	DATALOG	MKII-AOP	MKII-AOH	MKII-AHR	MKII-AHF	ZT-CP3/AD	ZT-CP3/ADW/P	*MKII-AXT/x	*MKII-AXTB/x	*MKII-ZRAP	*MKII-ZRAPB	MKII-SSB	ZAI-MI	ZAI-O-MI	ZASC-MI	ZAZM-MI	ZAI/OI/230	SMM/B	Wi-Fyre Transponder	MKII-CB	MKII-CB/D	MKII-IB	MKII-RL/C	MKII-RL/W	MKII-ARL/C	MKII-ARL/W
Simplicity 64	✓	✗	✗	✗	✓	✓	✓	✓	✓	✓	✓	✓	✓	✓	✓	✓	✓	✓	✓	✓	✓	✓	✓	✓	✓	P	P	✓	✓
Max per Loop	-	-	-	-	64	64	64	64	64	64	64	20	64	20	64	64	64	64	16	16	16	4	64	64	32	32	32	32	32
Simplicity 126	✓	✗	✗	✗	✓	✓	✓	✓	✓	✓	✓	✓	✓	✓	✓	✓	✓	✓	✓	✓	✓	✓	✓	✓	✓	P	P	✓	✓
Max Per Loop	-	-	-	-	126	126	126	126	126	126	64	20	64	20	64	64	64	64	16	16	16	4	126	126	32	32	32	32	32
Simplicity 252	✓	✗	✗	✗	✓	✓	✓	✓	✓	✓	✓	✓	✓	✓	✓	✓	✓	✓	✓	✓	✓	✓	✓	✓	✓	P	P	✓	✓
Max Per Loop	-	-	-	-	126	126	126	126	126	126	64	20	64	20	64	64	64	64	16	16	16	4	126	126	32	32	32	32	32
Premier Quatro	✗	✓	✗	✓	✓	✓	✓	✓	✓	✓	✓	✓	✓	✓	✓	✓	✓	✓	✓	✓	✓	✓	✓	✓	✓	P	P	✓	✓
Max Per Loop	-	-	-	-	250	250	250	250	250	250	64	20	64	20	64	64	64	64	16	16	16	4	250	250	32	32	32	32	32
Smart Loop	✗	✗	✗	✗	✓	✓	✓	✓	✓	✓	✓	✓	✓	✓	✓	✓	✓	✓	✓	✓	✓	✓	✓	✓	✓	P	P	✓	✓
Max Per Loop	-	-	-	-	250	250	250	250	250	250	64	20	64	20	64	64	64	64	16	16	16	4	250	250	32	32	32	32	32
Infinity ID2/2	✗	✗	✓	✗	✓	✓	✓	✓	✓	✓	✓	✓	✓	✓	✓	✓	✓	✓	✓	✓	✓	✓	✓	✓	✓	P	P	✓	✓
Max Per Loop	-	-	-	-	30	30	30	30	30	30	30	20	30	20	30	30	30	30	16	16	16	1	30	30	30	30	30	30	30
Infinity ID2/4	✗	✗	✓	✗	✓	✓	✓	✓	✓	✓	✓	✓	✓	✓	✓	✓	✓	✓	✓	✓	✓	✓	✓	✓	✓	P	P	✓	✓
Max Per Loop	-	-	-	-	60	60	60	60	60	60	60	20	60	20	60	60	60	60	16	16	16	2	60	60	32	32	32	32	32
Infinity ID2/8	✗	✗	✓	✗	✓	✓	✓	✓	✓	✓	✓	✓	✓	✓	✓	✓	✓	✓	✓	✓	✓	✓	✓	✓	✓	P	P	✓	✓
Max Per Loop	-	-	-	-	120	120	120	120	120	120	64	20	64	20	80	64	64	64	16	16	16	4	120	120	32	32	32	32	32

About

This chart is aimed to assist identifying which devices or repeaters will work with each control panel.

If you have any questions or doubts, contact your local representative, or contact our technical support team via email on technical@gltextports.com.

Key

- ✓ Compatible, and can be connected directly to the panel
- ✗ Not compatible with the panel
- p Compatible, but requires some extra setup programming

Device Current Consumption

(in Milliamps)

Device	Quiescent	Alarm
MKII-AOP	0.5	5
MKII-AOH	0.5	5
MKII-AHR	0.5	5
MKII-AHF	0.5	5
ZT-CP3/AD	0.45	2.3
ZT-CP3/AD/WP	0.45	2.3
MKII-AXT/x	0.65	4.5
MKII-AXTB/x	1.5	18-43
MKII-SSB	0.65	5.5
ZRAP/x	1.5	5.5
ZRAPB/x	1.5	18-43
ZAI-MI	0.62	5.5
ZAIO-MI	0.74	6.8
ZASC-MI	0.77	10.6
ZAZM-MI	0.74	5.5
ZAIOI/230	0.6	3.5
SMM/B	0.6	5.5
Wi-Fyre Transponder	1	3.6
MKII-CB	1	2
MKII-CB/D	0.6	0.8
MKII-IB	3.5	19
MKII-ARL/x	n/a	n/a

Type	Voltage drop (mV/A/m)
FDC 1.0	44
FDC 1.5	29
FDC 2.5	18

Voltage Drop Considerations

On an addressable system, loop voltage drop has to be taken into consideration. Due to variations in load distribution along the cable length, it is not always practical to try to calculate the exact voltage drop.

The addressable devices are rated down to 17V, so every point on the loop must be at least 17V at all times.

So when considering the question “how long can my loop be?”, the actual question to be answered is “how long can my loop be with my maximum alarm load, and chosen cable thickness, before the loop voltage drops below 17 V DC?”. There is always the option to use a thicker cable gauge.

The below tables give a rough indication of “worst case voltage drop” for different loads and cable lengths for the 3 main fireproof cable sizes.

Cable Length (1.0mm cable)

Load	100m	250m	500m	750m	1000m	1250m	1500m	1750m	2000m
100mA	26.56	25.9	24.8	23.7	22.6	21.5	20.4	19.3	18.2
200mA	26.12	24.8	22.6	20.4	18.2	16	13.8	11.6	9.4
300mA	25.68	23.7	20.4	17.1	13.8	10.5	7.2	3.9	0.6
400mA	25.24	22.6	18.2	13.8	9.4	5	0.6	N/A	N/A
500mA	24.8	21.5	16	10.5	5	N/A	N/A	N/A	N/A

Cable Length (1.5mm cable)

Load	100m	250m	500m	750m	1000m	1250m	1500m	1750m	2000m
100mA	26.71	26.28	25.55	24.83	24.1	23.38	22.65	21.93	21.2
200mA	26.42	25.55	24.1	22.65	21.2	19.75	18.3	16.85	15.4
300mA	26.13	24.83	22.65	20.48	18.3	16.13	13.95	11.78	9.6
400mA	25.84	24.1	21.2	18.3	15.4	12.5	9.6	6.7	3.8
500mA	25.55	23.38	19.75	16.13	12.5	8.88	5.25	1.63	N/A

Cable Length (2.5mm cable)

Load	100m	250m	500m	750m	1000m	1250m	1500m	1750m	2000m
100mA	26.82	26.55	26.1	25.65	25.2	24.75	24.3	23.85	23.4
200mA	26.64	26.1	25.2	24.3	23.4	22.5	21.6	20.7	19.8
300mA	26.46	25.65	24.3	22.95	21.6	20.25	18.9	17.55	16.2
400mA	26.28	25.2	23.4	21.6	19.8	18	16.2	14.4	12.6
500mA	26.1	24.75	22.5	20.25	18	15.75	13.5	11.25	9

Premier Power Pack EN54-4 Power Supply with LCD Screen (PP-2/12, PP-5/17)



Description

The Premier Power Pack Power supply uses an innovative design that allows the engineer to view system status through the on board LCD screen. The screen can display several power supply parameters, including output voltage, and output current.

The power supply itself uses a 3 state charger which uses BOOST, FLOAT, and PULSE modes, depending on the state of the battery.

The PSU will disconnect the batteries under mains fail condition, when the batteries are fully discharged to prevent damage to the batteries.

The PSU will also monitor the battery for high internal resistance, and signal a fault if that condition is detected.

Screen Information

System Normal Screen

Z	E	T	A	A	L	A	R	M	S	Y	S	T	E	M	S		
P	R	E	M	I	E	R	P	O	W	E	R	-	P	A	C	K	
R	A	T	I	N	G	3	0	V	D	C	2	.	0	A			
S	Y	S	T	E	M	N	O	R	M	A	L						

Screen 1 - Main Information

M	A	I	N	S	:	O	K	B	A	T	T	S	:	O	K		
V	(A)	=	2	9	.	5	V	(B)	=	2	9	.	5
C	U	R	R	E	N	T	0	.	1	2	A	M	P	S			

Screen 2 - Battery Info

B	A	T	T	E	R	Y	I	M	P	:	0	.	0	0	3	7	
C	H	A	R	G	E	R	V	O	L	T	:	2	5	.	4	5	V
C	H	A	R	G	E	T	Y	P	E	:	B	O	O	S	T		
B	A	T	T	E	R	Y	S	T	A	T	E	:	G	O	O	D	

Screen 3 - Misc.

E	A	R	T	H	:	2	.	4	4	7	V				G	O	O	D
C	H	A	R	G	E	R	C	I	R	C	U	I	T	:	O	K		
B	A	D	B	A	T	T	E	R	Y	L	V	L	X	.	X	R		

Screen 4 - Software Information

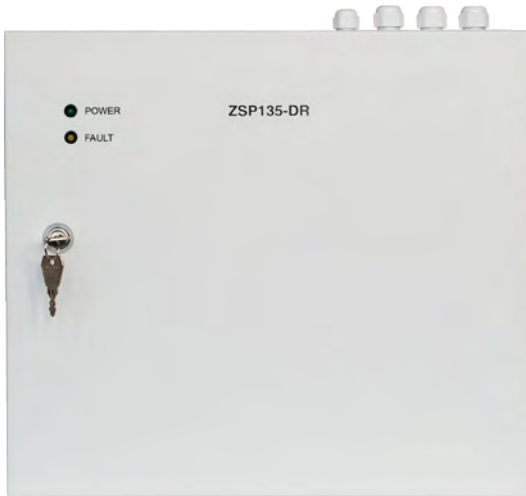
S	o	f	t	w	a	r	e	P	S	U	:	2	V	0	0		
S	o	f	t	w	a	r	e	L	C	D	:	2	V	0	0		

Technical Specification

Model	PP-2/12	PP-5/17
Part No.	46-300	46-305
Input Voltage	170-264V AC 47-63 Hz	
Output Voltage	28V DC Nominal	28V DC Nominal
Power Rating	75W	150W
Efficiency	79%	86%
Total Power Output	2.0 Amp	5.0 Amp
Power Supply Outputs	2 Fused Outputs	2 Fused Outputs
Maximum Current Per Output	0.625mA	2.0 Amps
Battery Charging Current	750mA	920mA
Fault Relay Rating	SELV 1A	SELV 1A
IP Rating	IP30	IP30
Size	375 x 335 x 128mm	375 x 403 x 128mm

Smart Power 27V PSU

(ZSP135-DR)



Description

The ZSP135-DR power system is used for supplying the uninterruptible 24V voltage to various fire protection devices.

It conforms to the standards EN 54-4:1997/A2:2006 and EN 12101-10:2005 and guidelines of VdS 2541:1996-12, 2882:2004-11, 2824:2004-03, 2593:2002-09.

Features

- Low quiescent current
- Battery circuit high resistance indication
- RS232/485 communication
- Low failure rate (0.5% for three years)

Technical Specification

Model	ZSP135-DR-2A-1	ZSP135-DR-3A-1	ZSP135-DR-3A-2	ZSP135-DR-5A-1	ZSP135-DR-5A-2	ZSP135-DR-5A-3	ZSP135-DR-7A-1	ZSP135-DR-7A-2	ZSP135-DR-7A-3
Part No.	46-310	46-3115	46-320	46-325	46-330	46-335	46-340	46-345	46-350
Nominal Input Voltage	230V +10% -15%								
Nominal Output Voltage	27.1V								
Output Voltage Range	19.7 to 28.0V								
Nominal Output Current	1.0A	2.0A	1.5A	4.0A	3.5A	3.0A	6.0A	5.5A	5.0A
Maximal Output Current	2A	3A	3A	5A	5A	5A	7A	7A	7A
Current Consumption	max 35 mA								
Maximal Resistance	250mΩ								
Number of Outputs	2 Fused Outputs								
Working Temperature	-25 to +55°C, 75°C over 2h								
IP Rating	IP44								
Functional class EN 12101-10:2005	A								
Environment class EN 12101-10:2005	1								
Environmental class VdS 2593	III								
Electric safety class EN 60950-1:2006/A11:2009/A1:2010	I								
Type of Box	A	A	B	A	B	C	A	B	C

Mechanical Specification

Box Type	Box A	Box B	Box C
Battery Bank Capacity	17Ah	28Ah	40Ah
Dimensions (W x H x D)	390 x 350 x 90	390 x 350 x 140	450 x 350 x 180
Weight (with Batteries)	6.4kg (18.0kg)	8.3kg (28.3kg)	11.0kg (42.3kg)

Other Zeta Products Available

Premier M Plus



Conventional Fire Alarm Control Panel

- ✓ Approved to EN54 part 2 & part 4
- ✓ Modular panels, 8, 16 & 24 zones
- ✓ Serial repeaters



Infinity 8



Conventional Fire Alarm Control Panel

- ✓ Approved to EN54 part 2 & part 4
- ✓ Available in 1, 2, 4, 6 & 8 zones
- ✓ 4 sounder circuits on 4, 6 & 8 zones



Conventional Detectors



Fyreye MKII Conventional Detectors

- ✓ LPCB approved range of smoke & heat detectors
- ✓ Variety of bases
- ✓ Range of wall & ceiling mounted remote LEDs

Conventional Devices



Conventional Call Points & Alarm Devices

- ✓ LPCB approved
- ✓ VAD compliant
- ✓ Indoor & outdoor versions

EVACS 1-16 Voice Evacuation System



- ✓ Compliant to EN54 part 16
- ✓ Up to 80 watt capacity
- ✓ Range of approved ceiling speakers
- ✓ Networkable up to 16 panels

Fire Telephone



Emergency Telephone System

- ✓ 70 addressable telephones & sockets
- ✓ LCD Display
- ✓ 2 wire - 3000m bus

Simplicity Gas Sense



Gas Detection System

- Stand alone industrial & flameproof detectors
- Wide range of toxic & flammable detectors
- Addressable control panel

Simplicity CO



Carbon Monoxide System

- Compliant with EN54
- Addressable system
- Two level ventilation outputs

Premier EX Pro



Extinguishing Control Panel

- BSI approved to EN54 parts 2 & 4 and EN12094
- Serial repeater
- Extra relay output modules



Disabled Toilet Alarm



Disabled Toilet Alarm

- Available in 1, 2, 3, & 4 Zone
- Control unit with relay output to interface with other alarm devices

Standalone Detectors



Standalone Smoke & Heat Detectors

- Interlinkable battery operated smoke & heat detectors
- 1, 5, & 10 year batteries
- Interchangeable mains with battery back up smoke & heat detectors

Auto Dialer



- Digital Communicator
- Auto diallers



Fire Alarm Systems

25 Years of Manufacturing Excellence



zeta
ALARM SYSTEMS

Premier EX Pro
Combined Fire & Extinguishing
Control Panel



25 Years of Manufacturing Excellence



zeta
ALARM SYSTEMS

Quatro Command Centre




Emergency Systems

25 Years of Manufacturing Excellence



zeta
ALARM SYSTEMS

Premier EVACS 1-16
Voice Alarm System



25 Years of Manufacturing Excellence



zeta
ALARM SYSTEMS

Fire Telephone



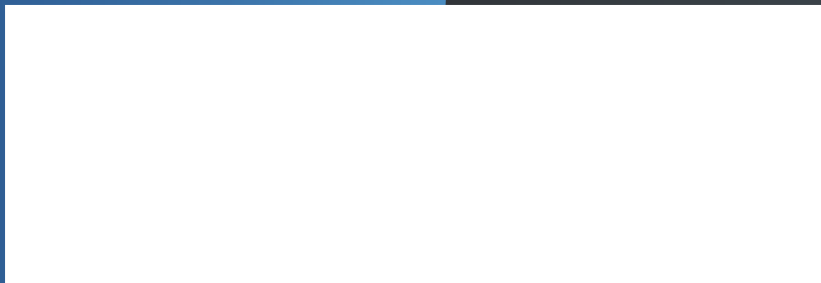

Gas Detection Systems

GAS DETECTION SYSTEMS



zeta
ALARM SYSTEMS

Available now from:



Assessed to ISO 9001: 2008
Certificate number 330



by GLT Exports Ltd
MADE IN THE UK

Tel: +44 (0) 1792 455 175
Fax: +44 (0) 1792 455 176

Email: info@zetaalarmsystems.com
Web: www.zetaalarmsystems.com

Detection House
72-78 Morfa
Road
Swansea
SA1 2EN
United Kingdom