



CEASE FIRE

The Fire and Safety Experts



Over 500
Quality Products



State-of-the-Art
Technology



International
Certifications

Kitchen Firefighting Range





CERTIFICATIONS

CEASEFIRE KITCHEN FIRE FIGHTING RANGE



CEASEFIRE'S KITCHEN
HOOD FIRE SUPPRESSION RANGE, INCLUDING
BOTH WATERMIST & WET CHEMICAL BASED
SYSTEMS

Certified by LPCB for
LPS 1223 Standard

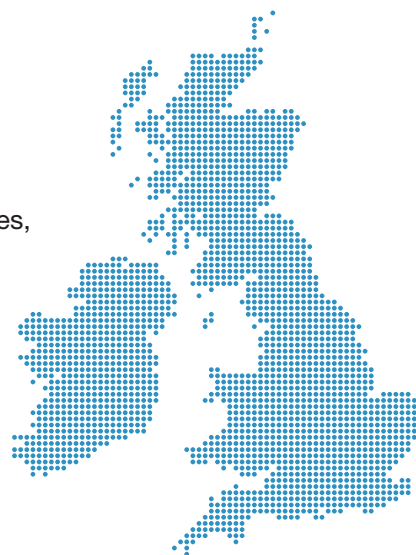


CEASEFIRE DOMESTIC
KITCHEN FIRE
SUPPRESSION SYSTEM

Tested by
BSI

Ceasefire Industries UK Ltd.

Ceasefire UK is a 100%-owned subsidiary of Ceasefire Industries, the most trusted fire safety brand in India and a fast emerging global conglomerate. With its globally certified, holistically-integrated range of fire fighting solutions, the company is amongst the rarest in the world to have such a diverse product portfolio as part of one eco-system.



A Full-Spectrum Kitchen Firefighting Range

Ceasefire today offers an integrated range of kitchen fire suppression systems and fire extinguishers to suit the needs of every kind of a kitchen, be it a commercial one or domestic. The range includes Watermist & Wetchemical Based, Engineered and Pre Engineered Systems & hand-held extinguishers.



What Makes These Systems Truly Remarkable?

Next-Gen Technologies For Kitchens:

Ceasefire's Kitchen Suppression System deploys a pneumatic heat sensing tube (HST) which ensures linear detection. The HST snakes through the hood, plenum as well as the duct area leaving no blind spots in fire fighting. The specially designed nozzles discharge the agent effectively and efficiently to ensure superior fire fighting.



In-house Design Capabilities::

The in-house team of design professionals have extensive experience of customizing fire suppression systems for a wide variety of commercial & domestic kitchens according to the LPCB guidelines.

Every design is customized for the kitchen it is installed in, considering the length of the kitchen hood along with every other aspect of fire threat & assessment of collateral damages at the premises.



Commercial Kitchen Firefighting Range

WATERMIST KITCHEN SUPPRESSION SYSTEM



The Watermist Kitchen Suppression System comes with an advanced detection mechanism. Its Pneumatic Heat Sensing Tubes run through the length of the hood, covering all vulnerable areas. In the event of a fire, these tubes burst at a pre-programmed temperature, creating a puncture in the tube, which allows the pressurised nitrogen to escape and the pressure to drop. This fall of pressure activates the valves, allowing the rotors placed inside them to mix air and water in pre-set proportions.

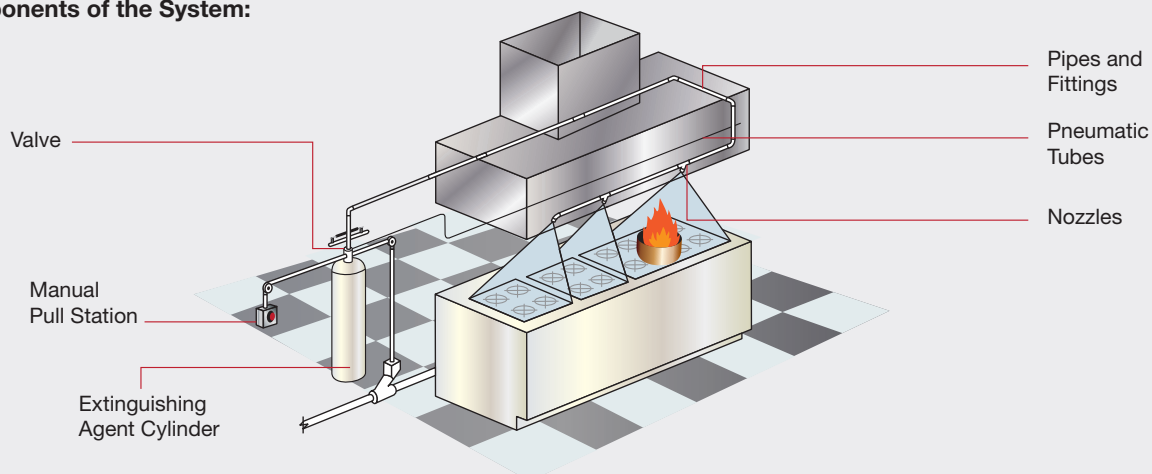
Features:

- Works on Class A, B and F (cooking oil) fires
- Automatic detection and actuation
- No collateral damage and zero downtime
- An eco-friendly alternative to conventional extinguishing systems
- Flexible piping configurations allow for a streamlined design and convenient installation



Certified by LPCB for LPS1223 Standard Certification.

Components of the System:

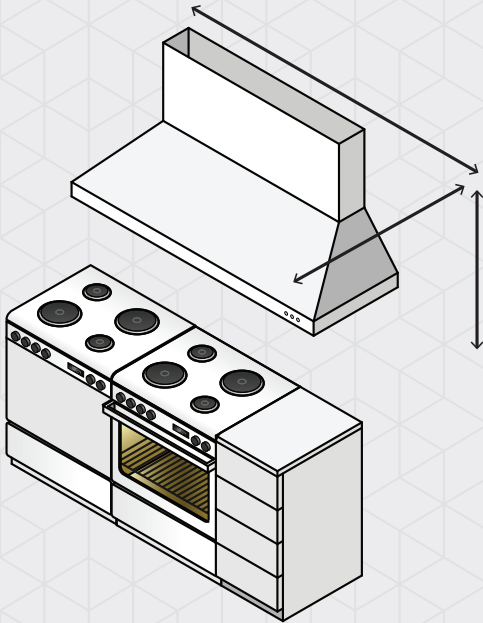


Nozzles: Specially designed nozzles that use minimum water and give maximum extinguishing power

Sizes available: 11.5 ltr, 27 ltr & 56 ltr



THE PRE-ENGINEERED RANGE OF KITCHEN SUPPRESSION SYSTEMS (WATERMIST)



Backed by in-depth studies of common applications of kitchen suppression systems in the Indian market, Ceasefire's Pre-engineered Watermist Kitchen Suppression Systems are designed to work with various sized kitchen hoods to protect your kitchen from a fire. With zero collateral damage.

These pre-engineered systems cut the cost estimation and delays involved in customising a system to give you instant, hassle-free protection.

Sizes available: 3 variants depending upon the length of your kitchen hood:

System Name	Kitchen Hood Length	
	Minimum	Maximum
CF - Enviro Kitchen Suppression System – M (Watermist) – V1	1.0 m	1.6 m
CF - Enviro Kitchen Suppression System – M (Watermist) – V2	1.61 m	2.4 m
CF - Enviro Kitchen Suppression System – M (Watermist) – V3	2.41 m	3.2 m

WATERMIST-BASED PORTABLE EXTINGUISHERS



Ceasefire's watermist-based portable extinguisher is powered by Watermist. Once the system is triggered, a specially designed rotor within the mist generator mixes air and water in a pre-set proportion to generate Watermist. The mist is then propelled at the fire through a specially designed nozzle with a throw of 10 feet. The mist then quickly blankets the flames and brings down the temperature to below combustion levels.

It is perfect for every stage of the food chain: production, storage, transportation and distribution.

Features:

- Works on Class A, B and F (cooking oil) fires
- Stainless steel body
- Safety pin
- No collateral damage

Sizes available: 2 ltr, 3 ltr, 6 ltr & 9 ltr







WET CHEMICAL

Designed for Kitchen Safe - Ultra-Dry
Kitchen fire suppression
UL Listed and approved for use in commercial kitchens
Maximum Spray Size: 41 LPM
10.5 sec. discharge (for manual operation)

- 1. PULL THE SAFETY PIN
- 2. HIT THE RED STRIKE KNIF
- 3. LEAVE FIRE AREA
- 4. INFORM EMERGENCY SERVICES

FOR USE ON FIRES INVOLVING:

A B C F

A: Flammable Liquids, Greases, Oils, Solvents
B: Flammable Gases
C: Electrical Equipment
F: Cooking Oils, Greases, Butter

100% Halon Free
100% Halon Free
100% Halon Free

Commercial Kitchen Firefighting Range

WET CHEMICAL KITCHEN FIREFIGHTING RANGE



Hazardous oil and grease fires in kitchens take place when oil overheats from 350°C - 380°C. They are further enhanced by the accumulation of oil in the filter and the exhaust ducts of the kitchen hood.

Kitchen fires are also caused by inattentive users during cooking, and by malfunctioning automated temperature control equipment in electrical deep fat fryers.

These Wet Chemical Kitchen Suppression Systems are automated; which means they can detect and kill a fire, even when there's no one around.

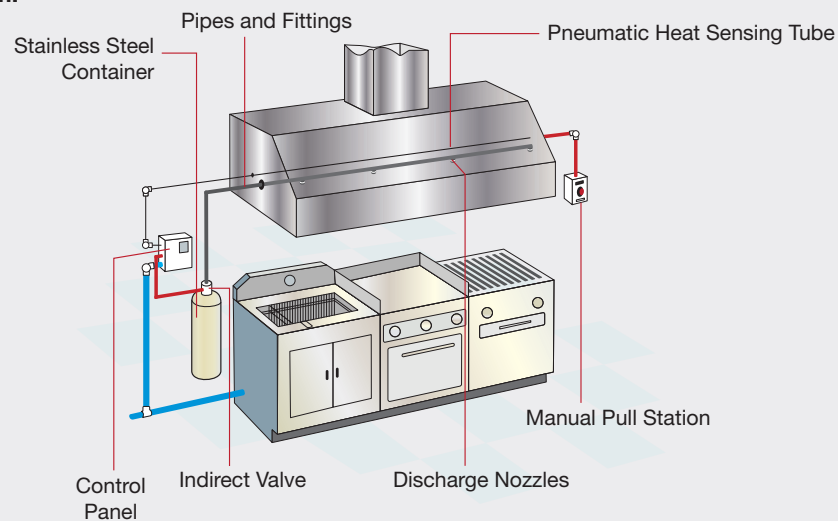
Features:

- Works on Class A, B and F (cooking oil) fires
- Automatic detection and actuation
- Flexible piping configurations allow for a streamlined design and convenient installation
- Uses biodegradable foam



Certified by LPCB for LPS1223 Standard Certification.

Components of the System:

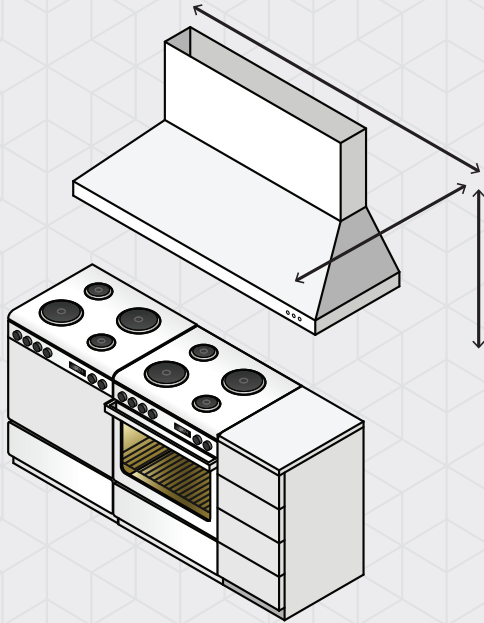


Nozzles: Specially designed nozzles that use minimum water and give maximum extinguishing power

Sizes available: 11.5 ltr, 18 ltr & 27 ltr



THE PRE-ENGINEERED RANGE OF KITCHEN SUPPRESSION SYSTEMS (WET CHEMICAL)



Ceasefire's Pre-engineered Kitchen Suppression Systems are powered by Wet Chemicals. Built around kitchen hood sizes, they protect you against the largest of kitchen fires, without causing any flooding-related collateral damage.

These pre-engineered systems cut the cost estimation and delays involved in customising a system to give you instant, hassle-free protection.

Sizes available: 6 variants, depending upon the length of your kitchen hood.

System Name	Kitchen Hood Length	
	Minimum	Maximum
CF - Ultra Kitchen Suppression System – M (Wet Chemical) – V1	Up to 1.6 m long	
CF - Ultra Kitchen Suppression System – M (Wet Chemical) – V2	1.61 m	2.4 m
CF - Ultra Kitchen Suppression System – M (Wet Chemical) – V3	2.41 m	3.2 m
CF - Ultra Kitchen Suppression System – M (Wet Chemical) – V4	3.21 m	4.0 m
CF - Ultra Kitchen Suppression System – M (Wet Chemical) – V5	4.01 m	4.8 m
CF - Ultra Kitchen Suppression System – M (Wet Chemical) – V6	4.81 m	5.6 m

WET CHEMICAL-BASED PORTABLE EXTINGUISHER



In commercial kitchens, the liberal use of fire and the presence of combustible substances make it easy for a fire to flare up. Designed to fight kitchen oil and fat fires, Ceasefire's Wet Chemical-based Fire Extinguisher uses an environmentally friendly foaming agent that blankets the flames, cuts down the supply of oxygen and cools the oil to below self-ignition point.

Features:

- Fights Class A, B, and F (cooking oil) fires
- Almost 99% bio-degradable extinguishing agent
- Highly effective as it prevents re-ignition

Sizes available: 3 ltr, 6 ltr & 9 ltr

Domestic Kitchen Firefighting Range

WATERMIST BASED KITCHEN FIRE SUPPRESSION SYSTEM



Ceasefire domestic kitchen firefighting range is a state-of-the-art system that operates automatically in the event of fire, making kitchen as safe as they can be.

Based on the clean watermist technology, the system does not cause any collateral damage and is safe for the kitchen equipment.

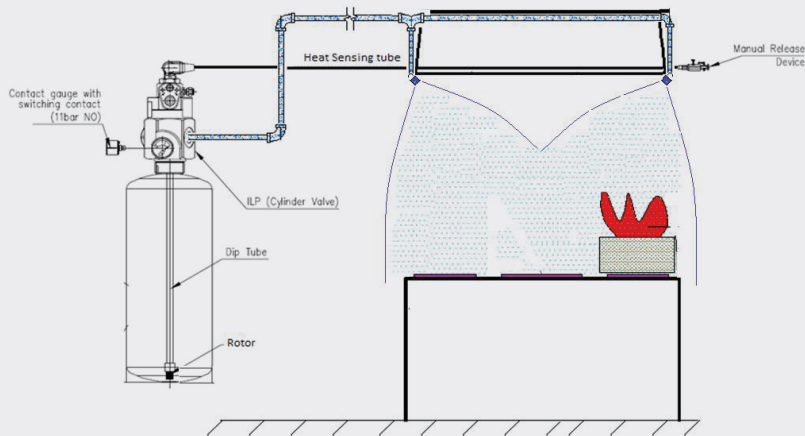
Features:

- Works on Class A, B and F (cooking oil) fires
- Automatic detection and actuation
- Camouflages with interiors of the kitchen
- No collateral damage and zero downtime
- An eco-friendly alternative to conventional extinguishing systems
- Flexible piping configurations allow for a streamlined design and convenient installation

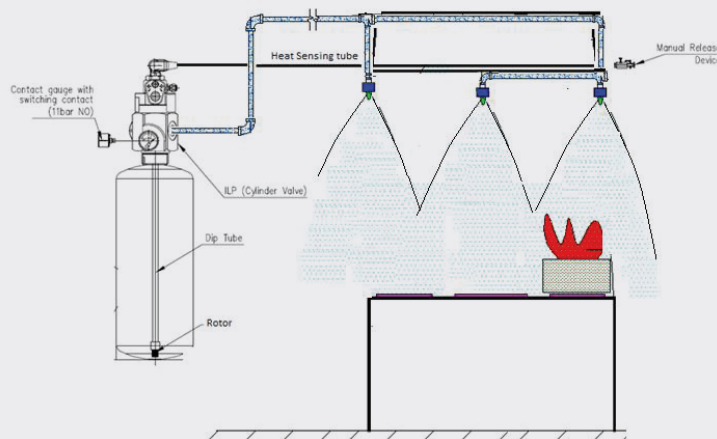
Tested by **bsi.**

Variants Available:

1. The 3 Litre, 2 Nozzles Variant



2. The 4.5 Litre, 3 Nozzles Variant



Domestic Kitchen Firefighting Range

WET CHEMICAL BASED KITCHEN FIRE SUPPRESSION SYSTEM



The Wet Chemical based kitchen fire suppression system is ideal to fight Class A, B and fires arising in the kitchen. Wet chemical has a blanketing effect on the flames which cool the super heated oil to below its self-ignition point bringing the fire in control.

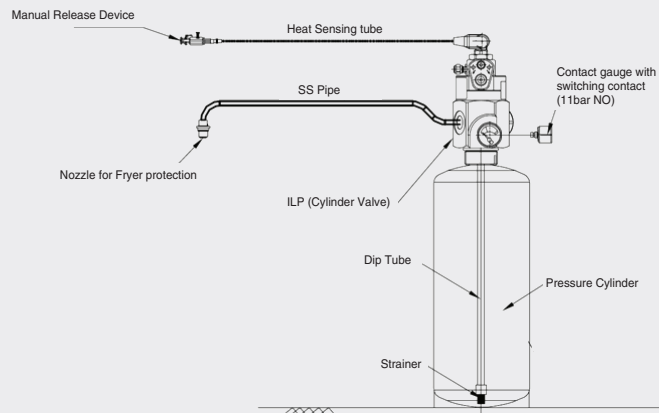
Features:

- Works on Class A, B and F (cooking oil) fires
- Automatic detection and actuation
- No collateral damage and zero downtime
- An eco-friendly alternative to conventional extinguishing systems
- Flexible piping configurations allow for a streamlined design and convenient installation

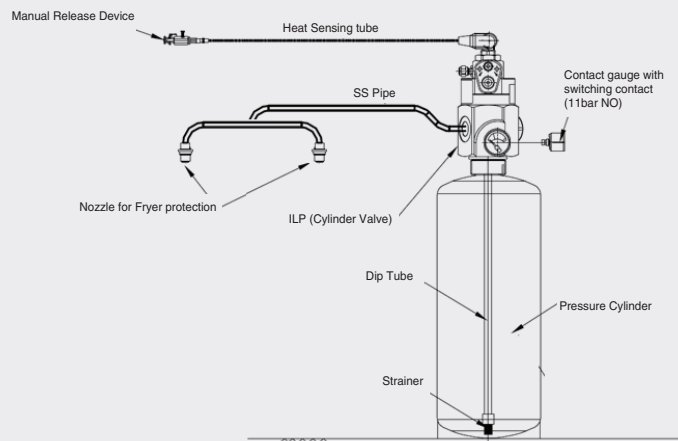
Tested by **bsi.**

Variants Available:

1. 1 Litre variant with 1 Nozzle



2. 1 Litre Variant with 2 Nozzles



Fights fires of all sizes.





Ceasefire Industries UK Limited

3, Waterhouse Square, 138-142 Holborn, London, EC1N2SW, United Kingdom

Tel: 0-113-868-6666 / 0-126-891-9999

www.ceasefire.co.uk

Follow us on:



MARKETED BY: